







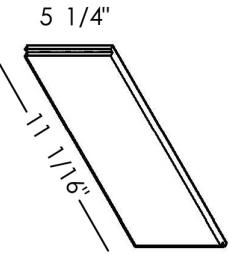
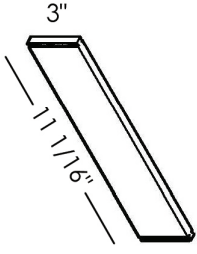
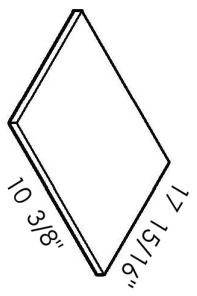

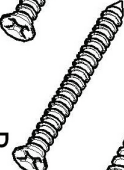
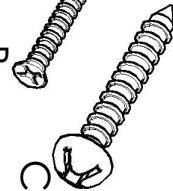
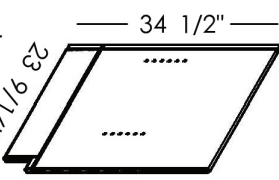
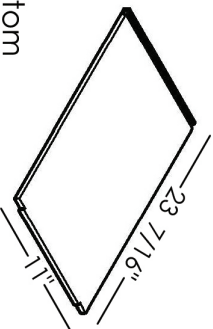
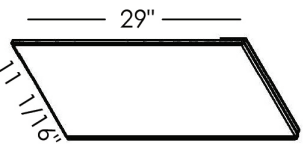
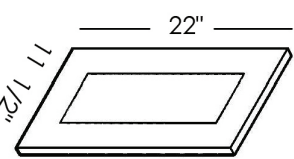
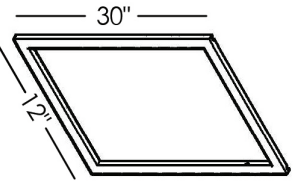
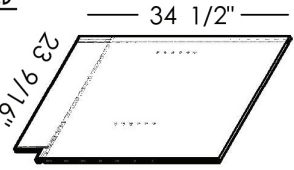


# Part List

No	Picture	Specification	Qty
A		Screw Ø3*1/2"	32
B		Screw Ø3*5/8"	4
C		Screw Ø4*5/8"	2
D		Corner Bracket	4
E		Metal Clip	4
F		Shelf Clip	4
G		Hinges	2
H		Bumper	2

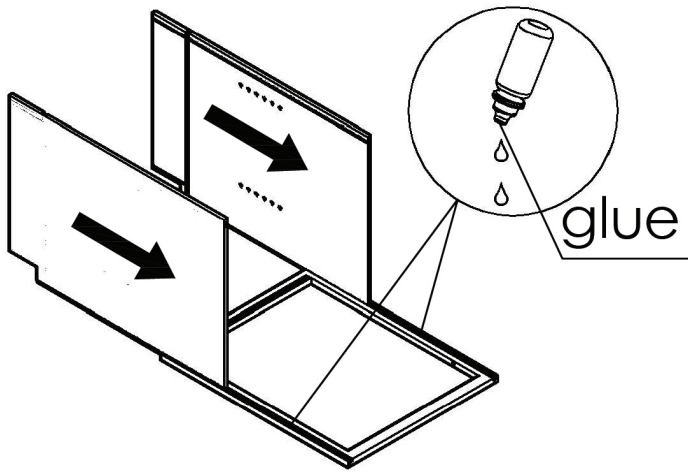
# B12FHHD

Unit: inch

<p>7</p> <p>Front Toe kick</p> 	<p>8</p> <p>Back Toe kick</p> 	<p>9</p> <p>Shelf</p> 	  		
<p>4</p> <p>Right Side Panel</p> 	<p>5</p> <p>Bottom Panel</p> 	<p>6</p> <p>Back Panel</p> 	<p>1</p> <p>Door</p> 	<p>2</p> <p>Face Frame</p> 	<p>3</p> <p>Left Side Panel</p> 

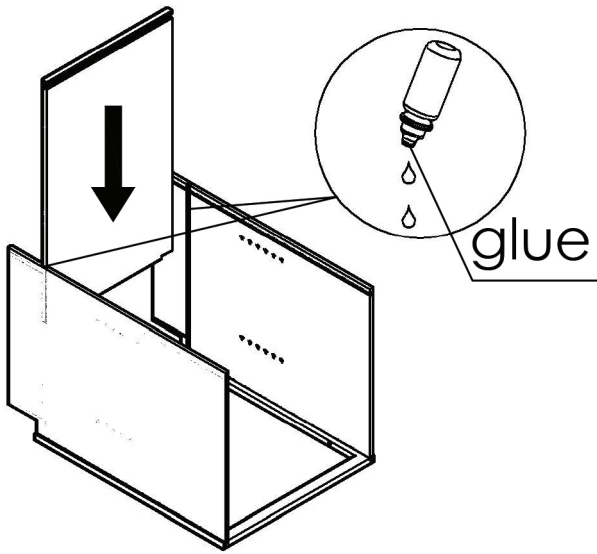


## Step 1



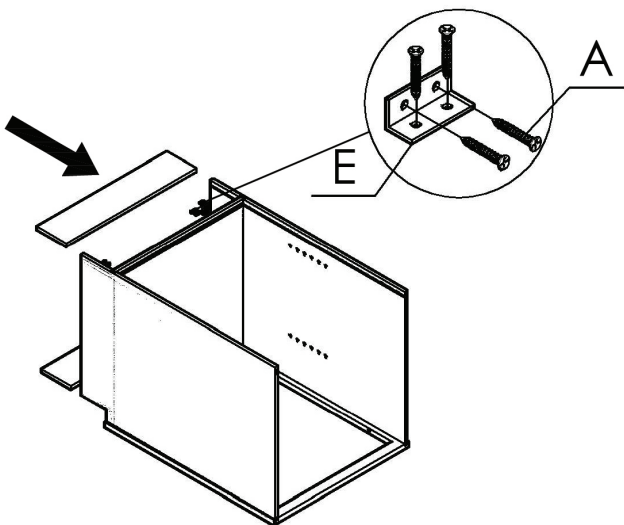
1. Place the face frame face down. Place a bead of glue in the dovetail groove. Slide the left and right sides into the vertical grooves (holes inward). Wipe away any excess glue.

## Step 2



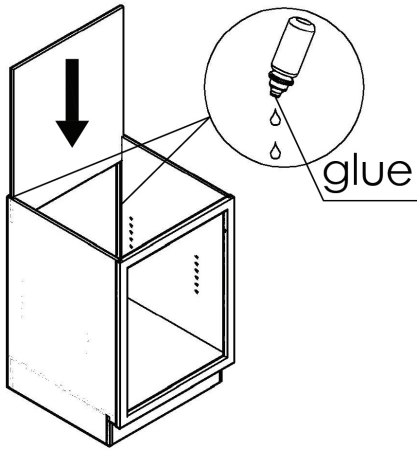
2. Slide the floor board into the parallel grooves on the walls. Make sure the floor board notch fits into the grooves on the face frame. Make sure the groove on floor board is inward toward the inside of the cabinet.

## Step 3



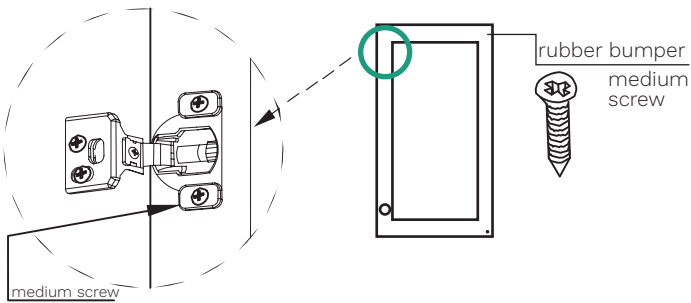
3. Place the small toe kick into the grooves below the floor board on the back side of the cabinet (opposite of face) paint side out. Slide the large toe kick into the grooves below the floor board on the front side. Place one metal clip on the inside of each corner below the floor board. This will connect the large and small toe kicks to the left and right sides of the cabinet.

## Step 4



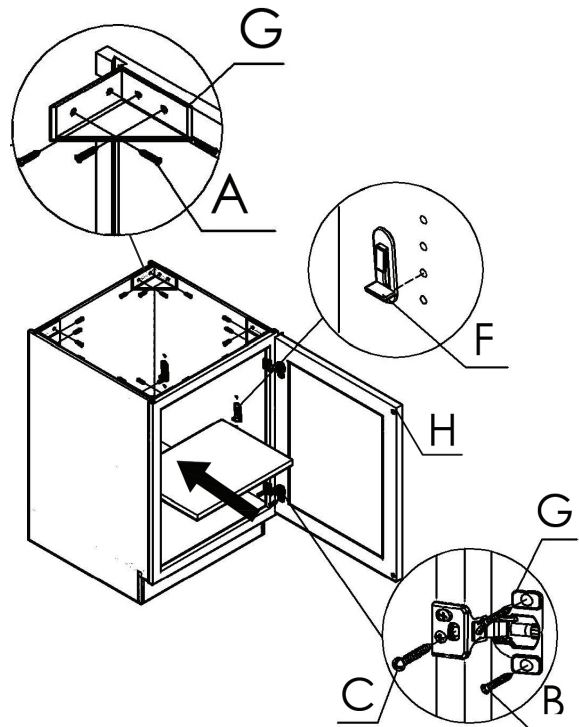
4. Flip the cabinet upright and slide the back wall into the parallel grooves on the back side of the cabinet (finished side inward). Be sure to slide it into the grooves on the floor board.

## Step 5



5. Place the door face down and set each hinge into place. Line up the corresponding screw holes on the door with the corresponding holes on the hinge. Secure the hinges to the door with two medium screws per hinge. Place one rubber bumper on the inside of each corner (opposite of the hinges).

## Step 6



6-1. Locate the pre-drilled dimple on the inside lip of the face frame. Then drill a 3/4" deep pilot hole with a 3/32 drill bit.

6-2. Line up the corresponding holes on the hinges with the corresponding holes on the face frame and fasten them down using one large screw each. Use a screwdriver to adjust the door position if needed.

## Completed

