







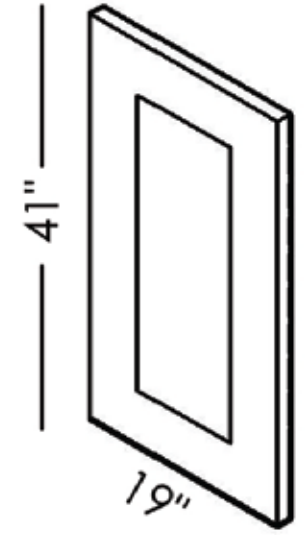
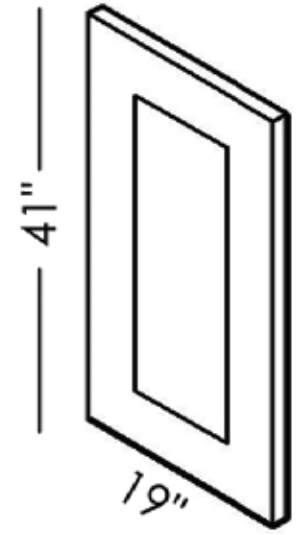
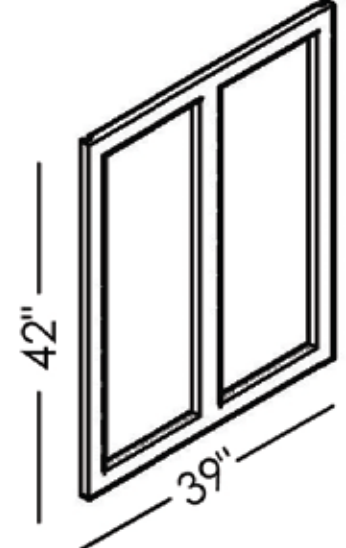
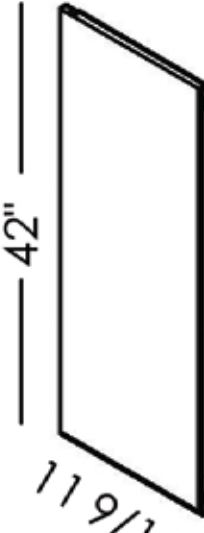
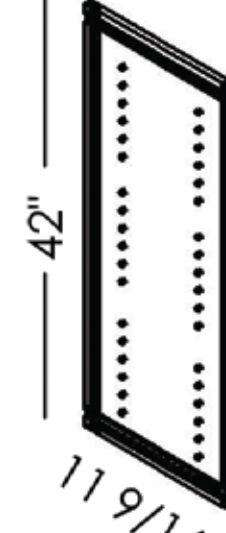
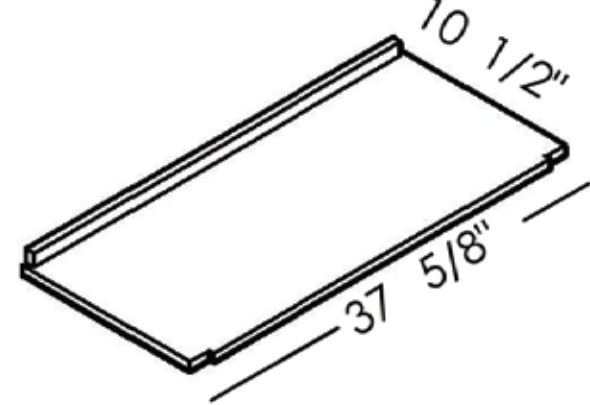
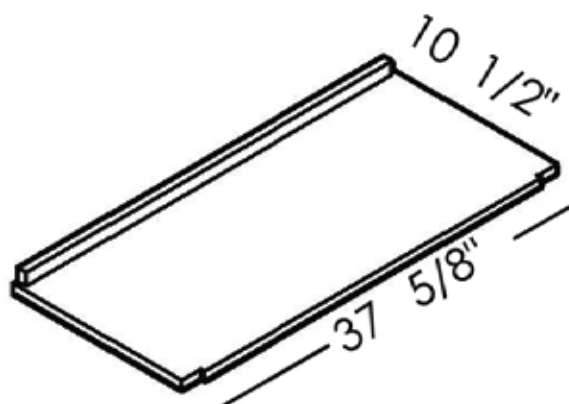
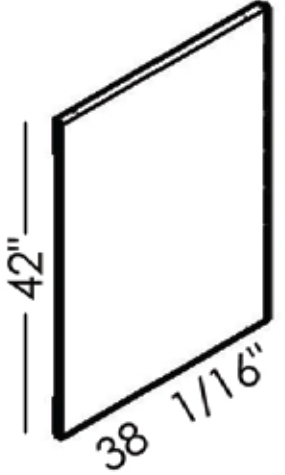
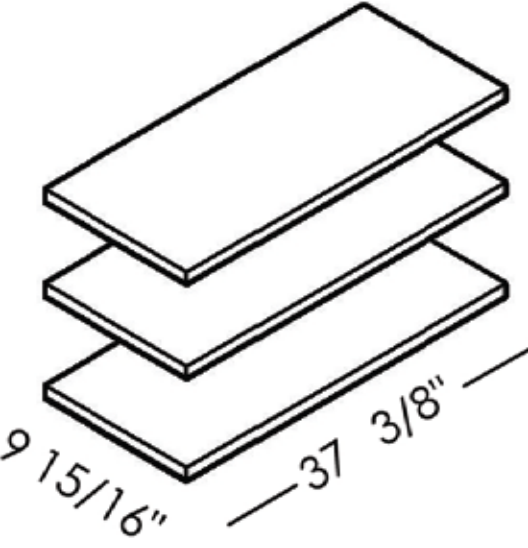
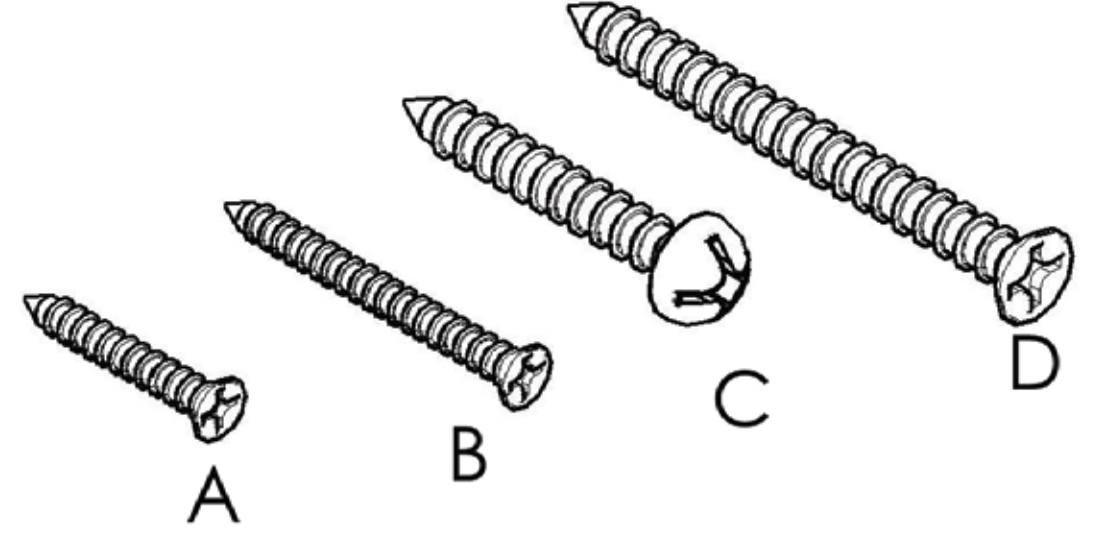


Part List









W3942 WM3942GDFI WOF3942GDFI

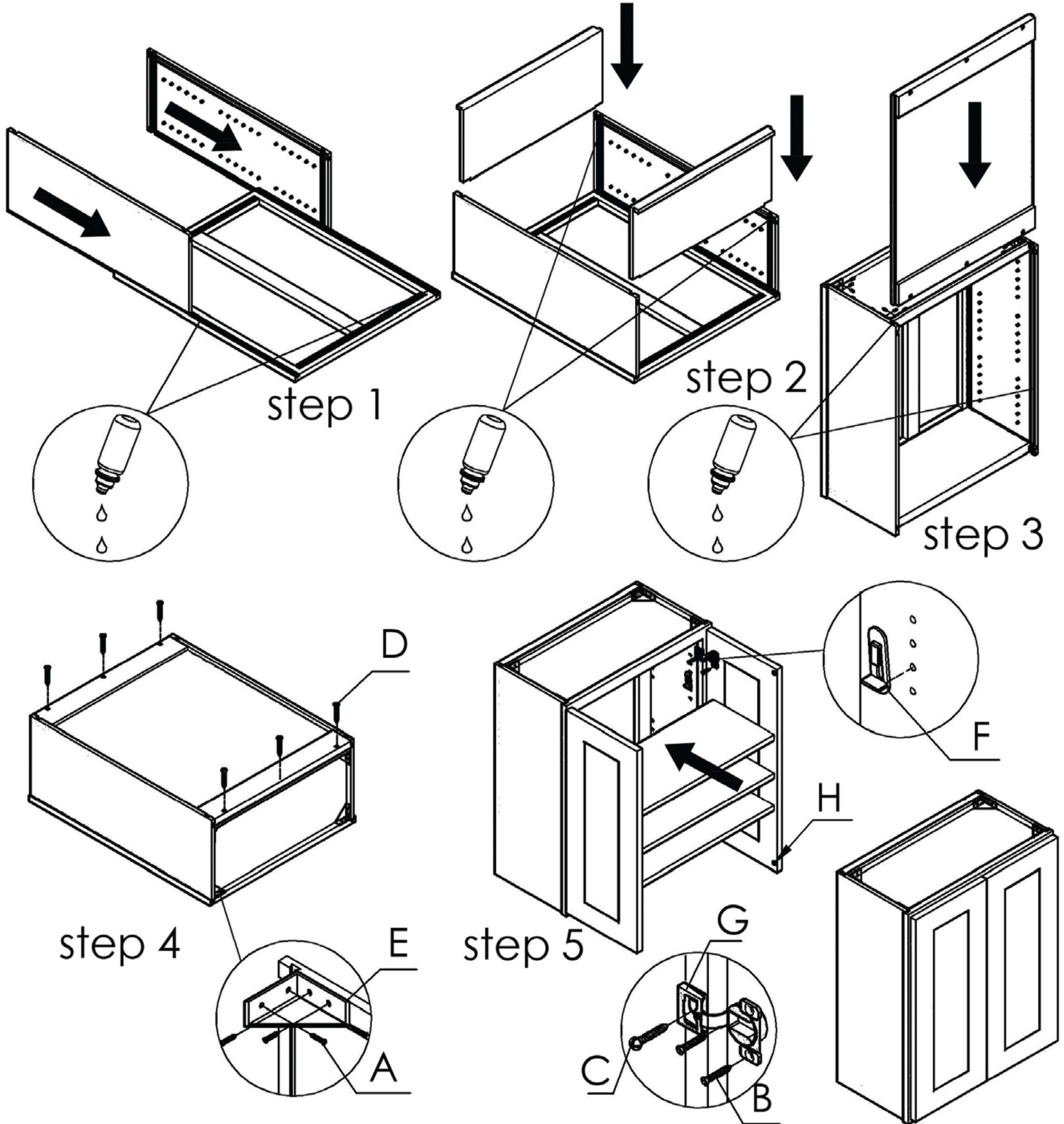
Unit:inch

No	Picture	Specification	Qty
A		Screw $\text{Ø}3 \times 1/2$ "	32
B		Screw $\text{Ø}3 \times 5/8$ "	12
C		Screw $\text{Ø}4 \times 5/8$ "	6
D		Screw $\text{Ø}4 \times 1 \frac{3}{16}$ "	6
E		Corner Bracket	8
F		Shelf Clip	12
G		Hinges	6
H		Bumper	4

<p>1</p>  <p>Left Door</p>	<p>2</p>  <p>Right Door</p>	<p>3</p>  <p>Face Frame</p>
<p>4</p>  <p>Left Side Panel</p>	<p>5</p>  <p>Right Side Panel</p>	<p>6</p>  <p>Top Panel</p>
<p>7</p>  <p>Bottom Panel</p>	<p>8</p>  <p>Back Panel</p>	<p>9</p>  <p>Shelf</p>
 <p>A B C D</p>		

Assembly instructions

No	Picture	Specification	Qty	No	Picture	Specification	Qty
A		Screw $\text{Ø}3 \times 1\frac{1}{2}$ "	32	E		Corner Bracket	8
B		Screw $\text{Ø}3 \times 5\frac{5}{8}$ "	12	F		Shelf Clip	12
C		Screw $\text{Ø}4 \times 5\frac{5}{8}$ "	6	G		Hinges	6
D		Screw $\text{Ø}4 \times 1\frac{3}{16}$ "	6	H		Bumper	4



page 1 of 1

W3942-W4242

WM3942GDFI-WM4242GDFI

WOF3942GDFI-WOF4242GDFI

