



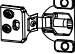


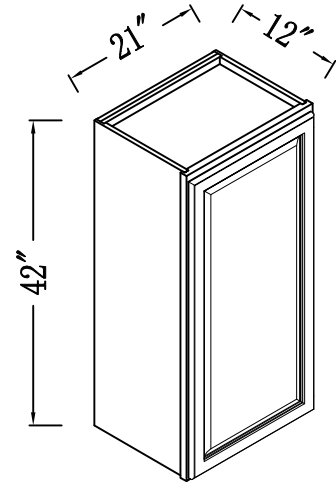


PART LIST

NO.	Picture	Specification	Qty
A		Screws $\text{Ø}3 \times 1/2$ "	48
B		Screws $\text{Ø}4 \times 1$ "	4
C		Shelf Clips	12
D		Metal Clip	12
E		Hinges	3
F		Screws $\text{Ø}4 \times 3/4$ "	3
G		Screws $\text{Ø}4 \times 5/8$ "	6










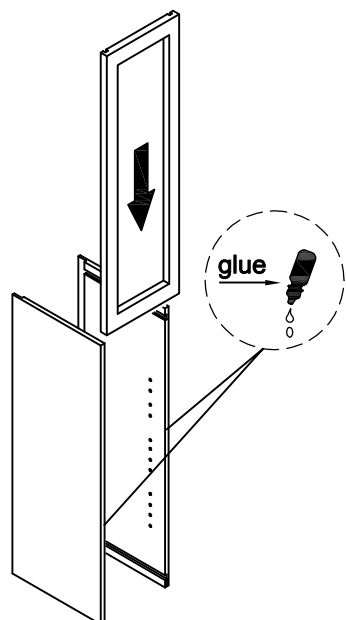
W2142
WM2142GDFI

Unit: inch

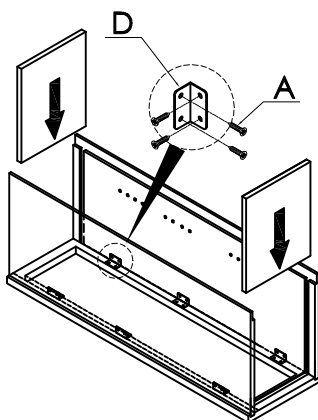
<p>1</p> <p>Door</p>	<p>2</p> <p>Face frame</p>	<p>3</p> <p>Left Side Panel</p>	<p>4</p> <p>Right Side Panel</p>	<p>5</p> <p>Back board</p>
<p>6</p> <p>Top Panel</p>	<p>7</p> <p>Bottom Panel</p>	<p>Shelf</p>		

Assembly instructions

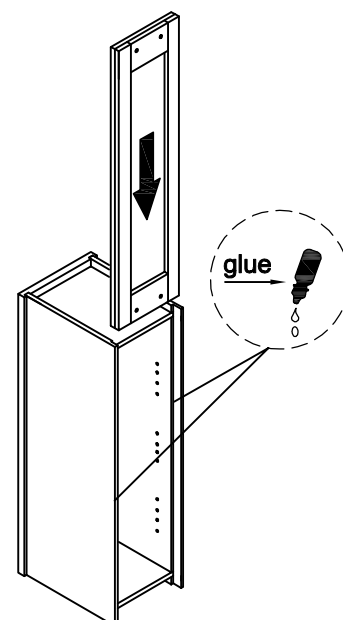
NO.	PICTURE	SIZE	QTY	NO.	PICTURE	SIZE	QTY
A		Screws $\varnothing 3 \times 1/2''$	48	E		Hinges	3
B		Screws $\varnothing 4 \times 1''$	4	F		Screws $\varnothing 4 \times 3/4''$	3
C		Shelf Clip	12	G		Screws $\varnothing 4 \times 5/8''$	6
D		Metal Clip	12				



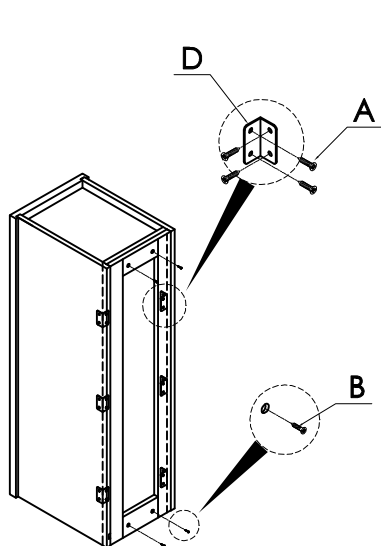
step 1



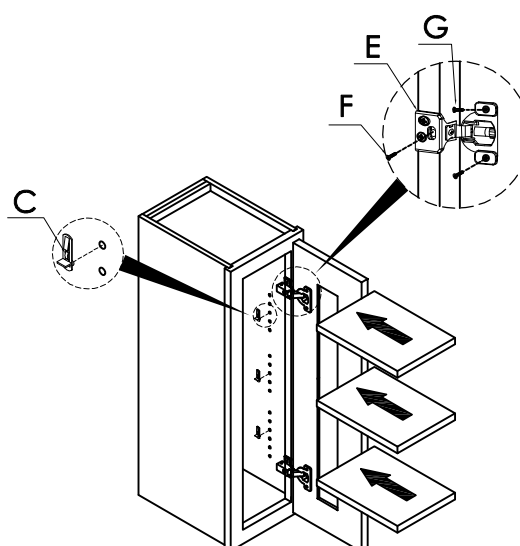
step 2



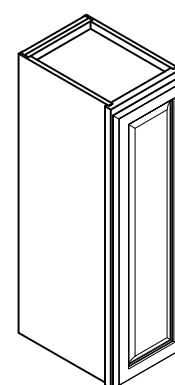
step 3



step 4



step 5



step 6