



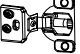


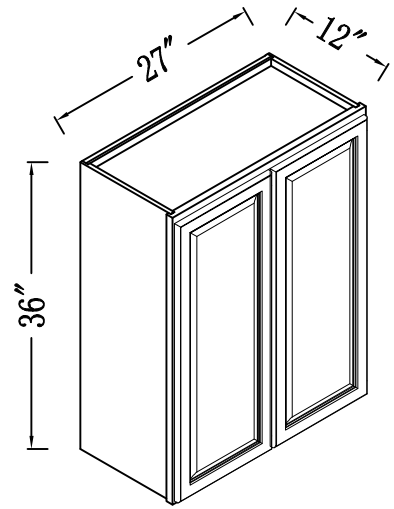


PART LIST

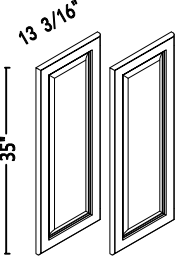
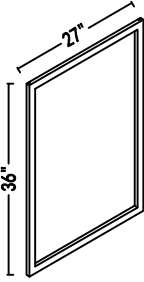
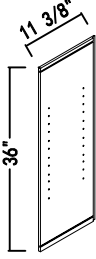
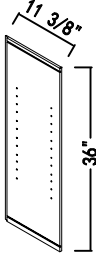
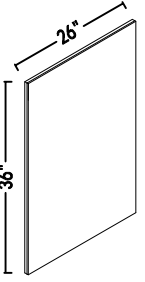
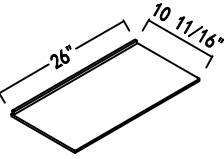
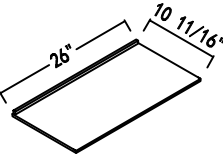
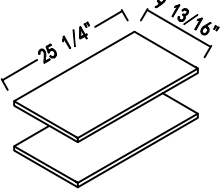
| NO. | Picture | Specification | Qty |
|-----|---|--------------------------|-----|
| A |  | Screws $\text{Ø}3*1/2''$ | 32 |
| B |  | Screws $\text{Ø}4*1''$ | 4 |
| C |  | Shelf Clips | 8 |
| D |  | Metal Clip | 8 |
| E |  | Hinges | 4 |
| F |  | Screws $\text{Ø}4*3/4''$ | 4 |
| G |  | Screws $\text{Ø}4*5/8''$ | 8 |
| | | | |










W2736

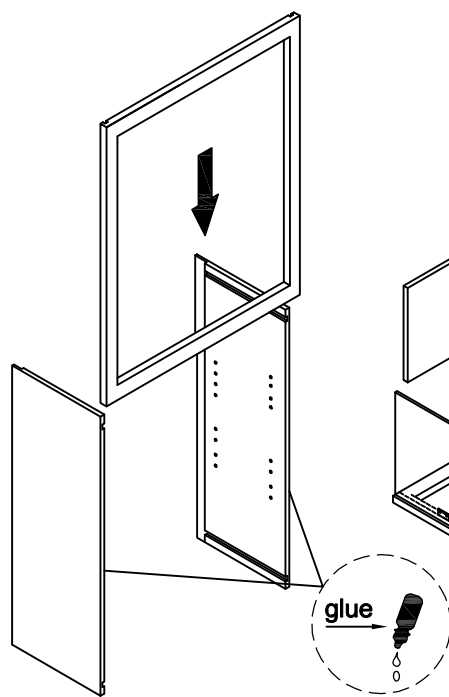
WM2736GDFI

Unit: inch

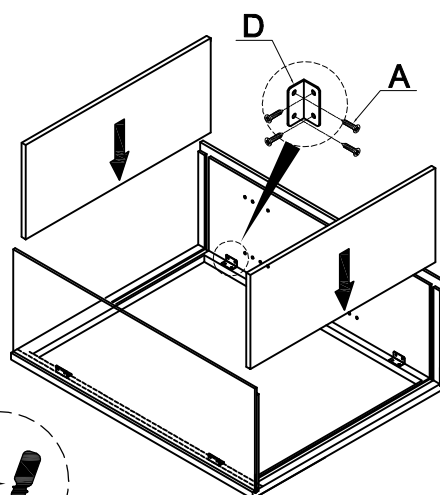
| | | | | |
|--|--|---|--|--|
| <p>1</p>  <p>Door</p> | <p>2</p>  <p>Face frame</p> | <p>3</p>  <p>Left Side Panel</p> | <p>4</p>  <p>Right Side Panel</p> | <p>5</p>  <p>Back board</p> |
| <p>6</p>  <p>Top Panel</p> | <p>7</p>  <p>Bottom Panel</p> |  <p>Shelf</p> | | |

Assembly instructions

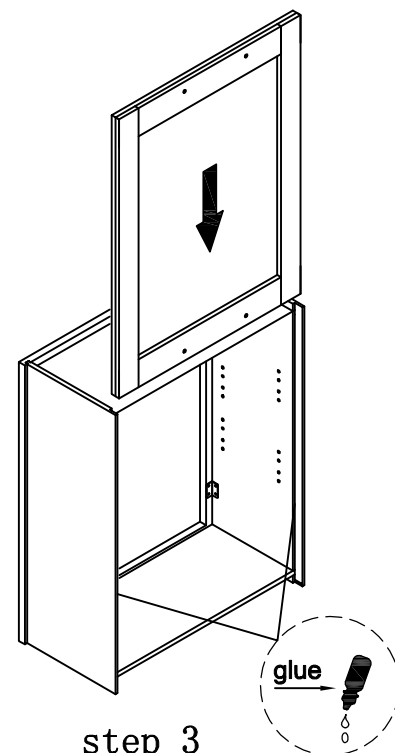
| NO. | PICTURE | SIZE | QTY | NO. | PICTURE | SIZE | QTY |
|-----|---|---------------------------------|-----|-----|--|---------------------------------|-----|
| A |  | Screws $\text{Ø}3 \times 1/2''$ | 32 | E |  | Hinges | 4 |
| B |  | Screws $\text{Ø}4 \times 1''$ | 4 | F |  | Screws $\text{Ø}4 \times 3/4''$ | 4 |
| C |  | Shelf Clip | 8 | G |  | Screws $\text{Ø}4 \times 5/8''$ | 8 |
| D |  | Metal Clip | 8 | | | | |



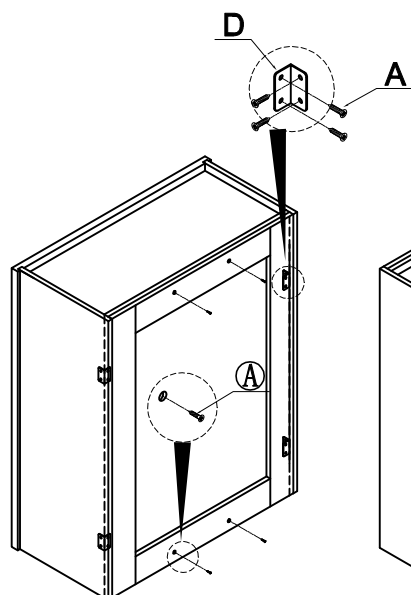
step 1



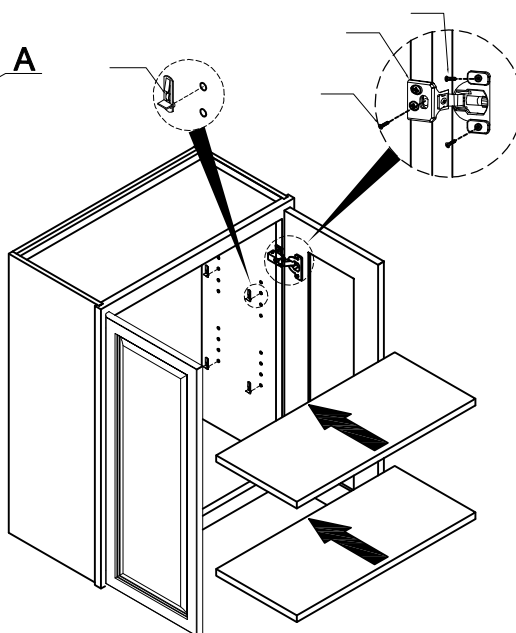
step 2



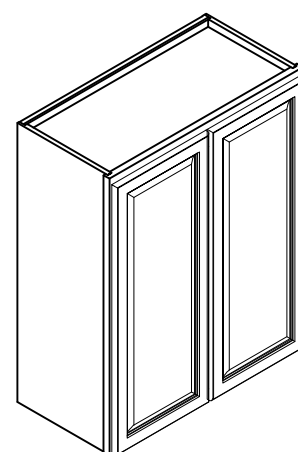
step 3



step 4



step 5



step 6