


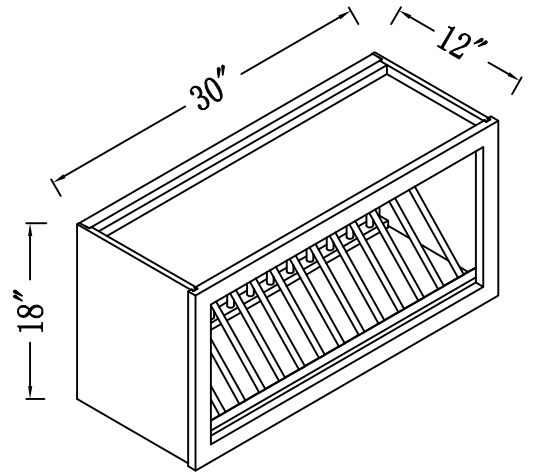


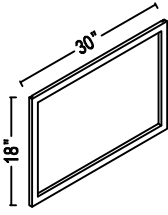
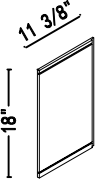
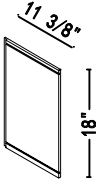
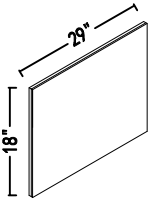
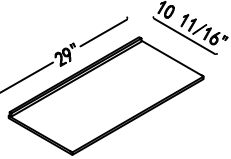
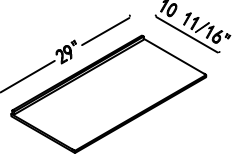
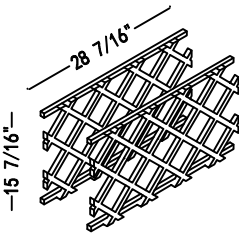
PART LIST

NO.	Picture	Specification	Qty
A		Screws $\text{Ø}3 \times 1/2$ "	32
B		Screws $\text{Ø}4 \times 1$ "	18
C		Metal Clip	8






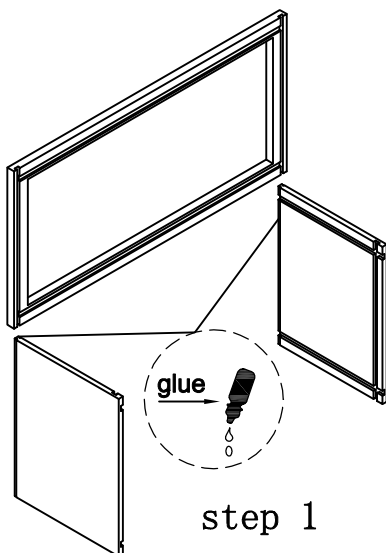
WR3018

Unit: inch

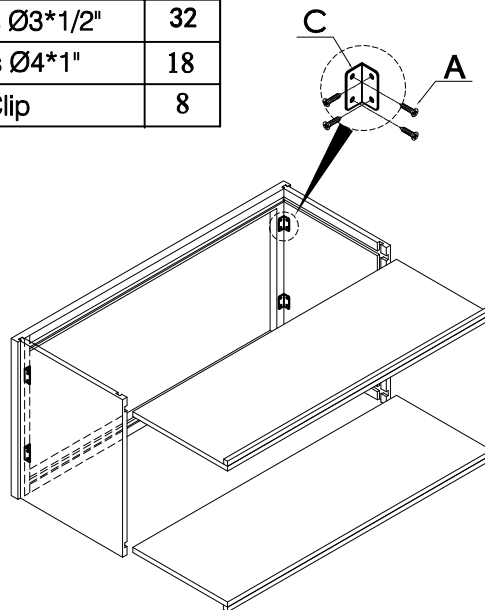
<p>1</p>  <p>Face frame</p>	<p>2</p>  <p>Left Side Panel</p>	<p>3</p>  <p>Right Side Panel</p>	<p>4</p>  <p>Back Board</p>	<p>5</p>  <p>Top Panel</p>
<p>6</p>  <p>Bottom Panel</p>	<p>7</p>  <p>Wine Rack</p>			

Assembly instructions

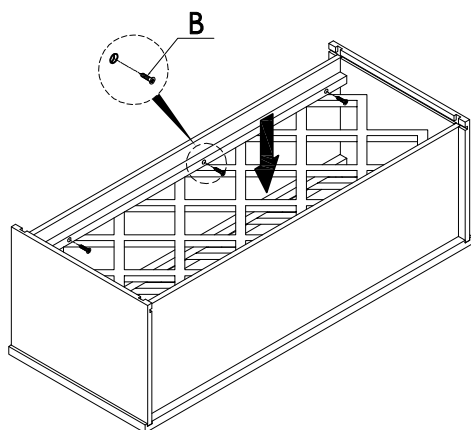
NO.	PICTURE	SIZE	QTY
A		Screws $\text{Ø}3 \times 1/2''$	32
B		Screws $\text{Ø}4 \times 1''$	18
C		Metal Clip	8



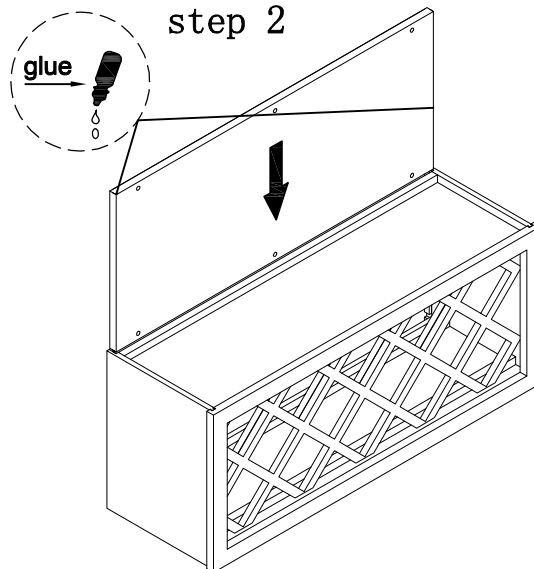
step 1



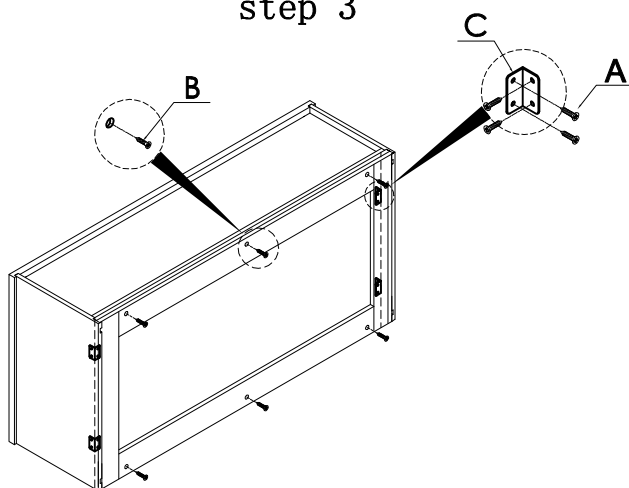
step 2



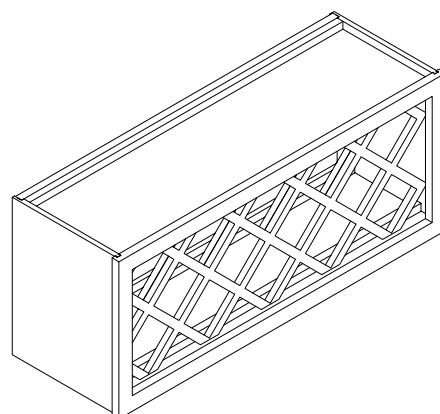
step 3



step 4



step 5



step 6