


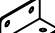
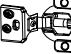


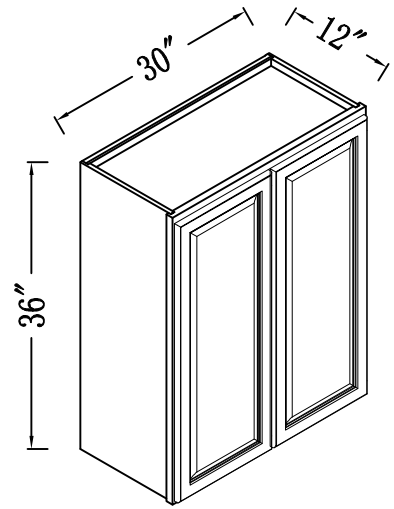


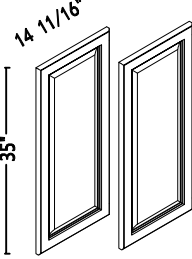
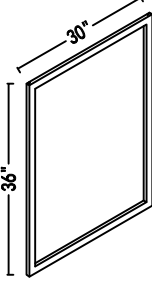
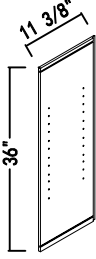
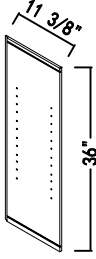
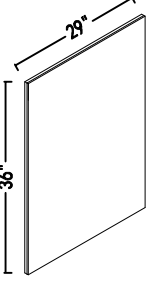
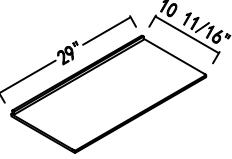
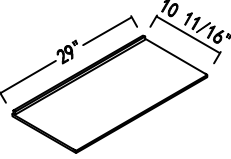
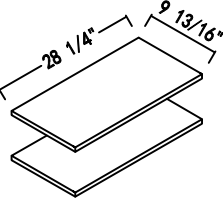
# PART LIST

| NO. | Picture   | Specification            | Qty |
|-----|---|--------------------------|-----|
| A   |  | Screws $\text{Ø}3*1/2''$ | 32  |
| B   |  | Screws $\text{Ø}4*1''$   | 6   |
| C   |  | Shelf Clips              | 8   |
| D   |  | Metal Clip               | 8   |
| E   |  | Hinges                   | 4   |
| F   |  | Screws $\text{Ø}4*3/4''$ | 4   |
| G   |  | Screws $\text{Ø}4*5/8''$ | 8   |
|     |   |                          |     |










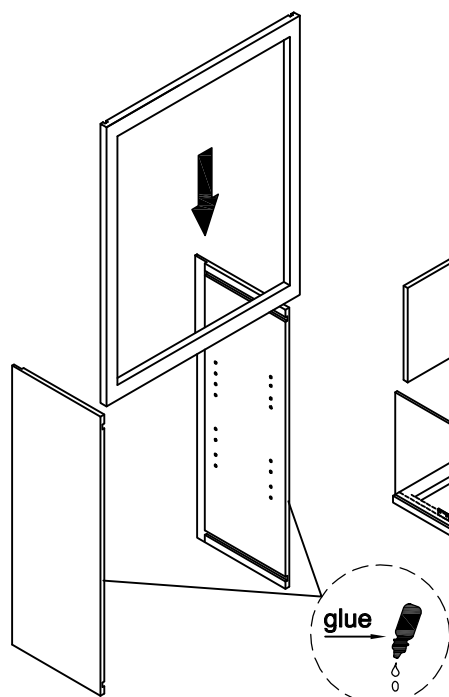
W3036  
WM3036GDFI

Unit: inch

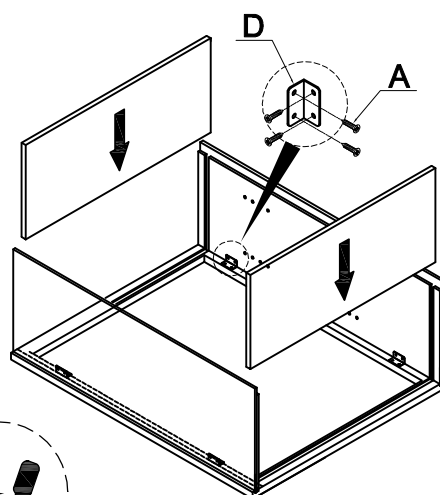
|  |  |   |  |  |
|--|--|---|--|--|
| <p>1</p>  <p>Door</p>     | <p>2</p>  <p>Face frame</p>   | <p>3</p>  <p>Left Side Panel</p> | <p>4</p>  <p>Right Side Panel</p> | <p>5</p>  <p>Back board</p> |
| <p>6</p>  <p>Top Panel</p> | <p>7</p>  <p>Bottom Panel</p> |  <p>Shelf</p>                    |  |  |

# Assembly instructions

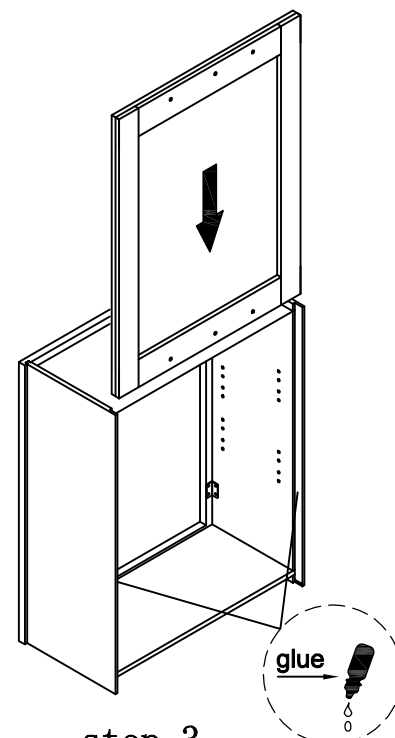
| NO. | PICTURE   | SIZE                            | QTY | NO. | PICTURE  | SIZE                            | QTY |
|-----|---|---------------------------------|-----|-----|--|---------------------------------|-----|
| A   |  | Screws $\text{Ø}3 \times 1/2''$ | 32  | E   |  | Hinges                          | 4   |
| B   |  | Screws $\text{Ø}4 \times 1''$   | 6   | F   |   | Screws $\text{Ø}4 \times 3/4''$ | 4   |
| C   |  | Shelf Clip                      | 8   | G   |   | Screws $\text{Ø}4 \times 5/8''$ | 8   |
| D   |  | Metal Clip                      | 8   |     |  |                                 |     |



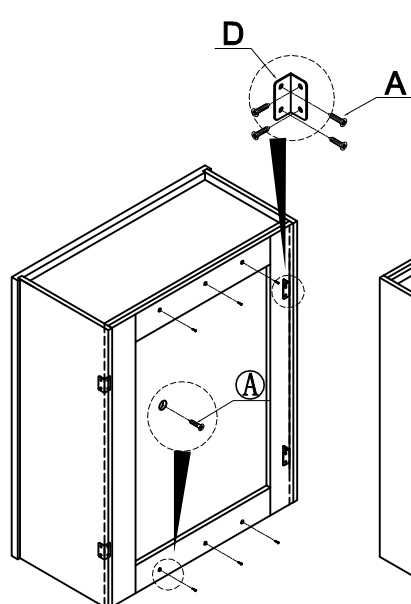
step 1



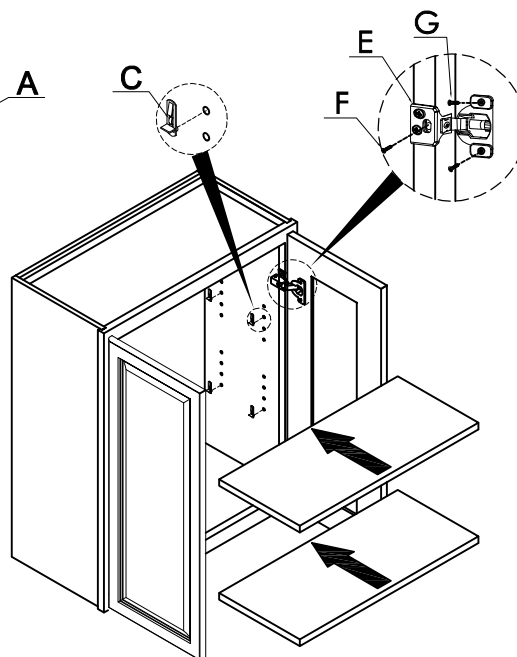
step 2



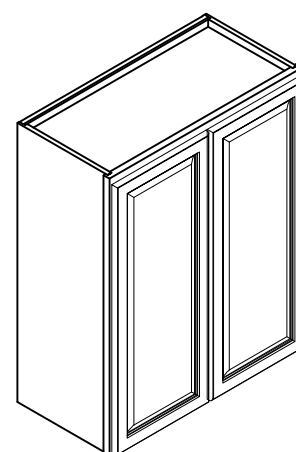
step 3



step 4



step 5



step 6