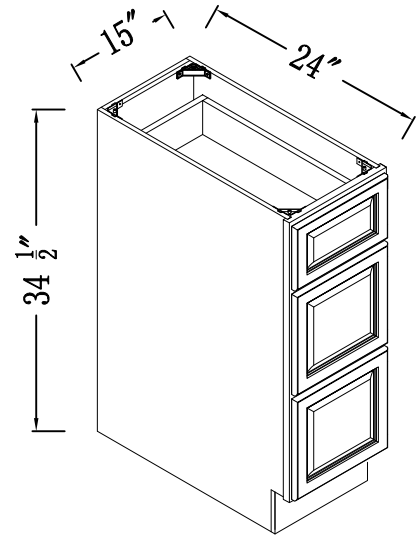


PART LIST

NO.	Picture	Specification	Qty
A		Screws Ø3*1/2"	56
B		Screws Ø4*5/8"	36
C		Screws Ø4*1"	2
D		Drawer Glides	3
E		Corner Brackets	4
F		Metal Clip	12









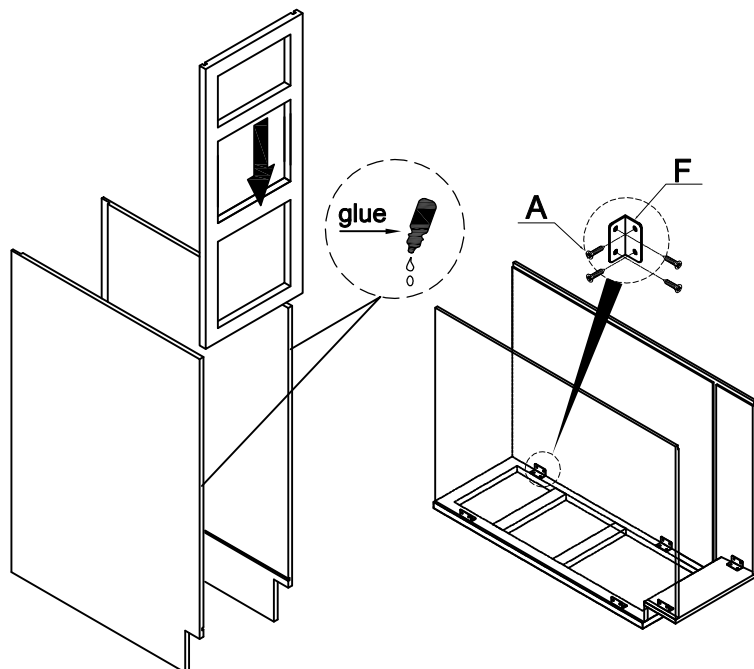
DB15-3

Unit:inch

<p>1</p> <p>Face frame</p>	<p>2</p> <p>Top Drawer Front</p>	<p>3</p> <p>Middle Bottom Drawer Front</p>	<p>4</p> <p>Top Drawer back</p>	<p>5</p> <p>Middle Bottom Drawer back</p>
<p>6</p> <p>Top Drawer Side</p>	<p>7</p> <p>Middle Bottom Drawer Side</p>	<p>8</p> <p>Drawer bottom</p>	<p>9</p> <p>Back board</p>	<p>10</p> <p>Left Side Panel</p>
<p>15</p> <p>Right Side Panel</p>	<p>16</p> <p>Bottom</p>	<p>Face TK</p>		

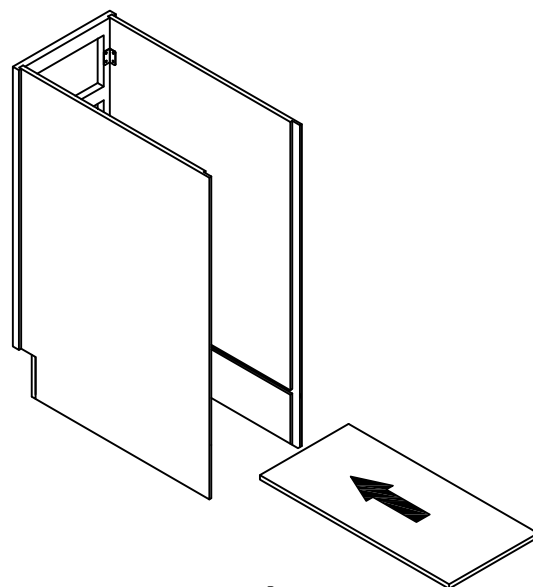
Assembly instructions

NO.	PICTURE	SIZE	QTY	NO.	PICTURE	SIZE	QTY
A		Screws $\text{Ø}3 \times 1/2''$	56	D		Drawer Glides	3
B		Screws $\text{Ø}4 \times 5/8''$	36	E		Corner Brackets	4
C		Screws $\text{Ø}4 \times 1''$	2	F		Metal Clip	12

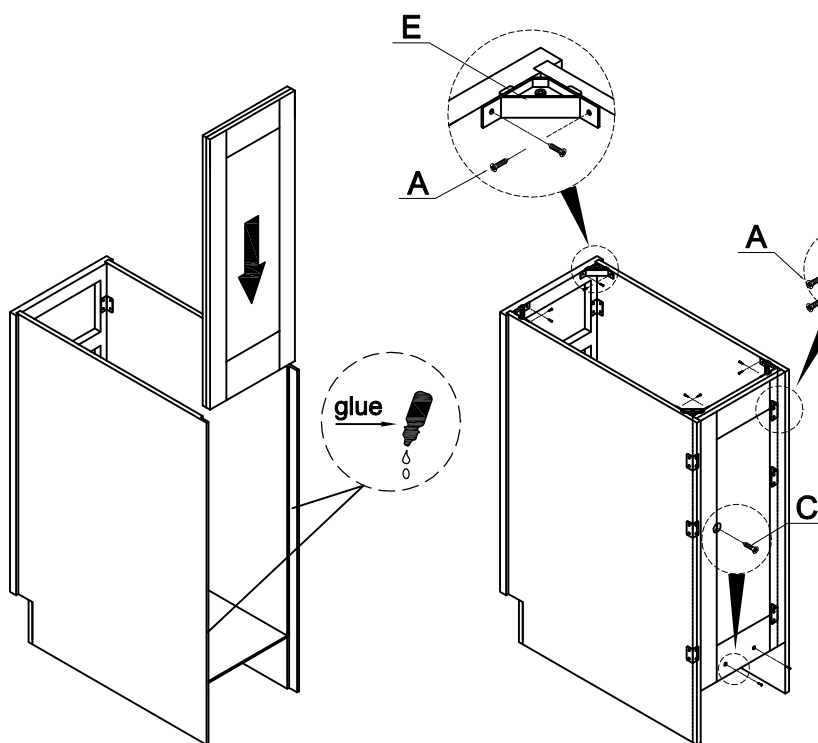


step 1

step 2

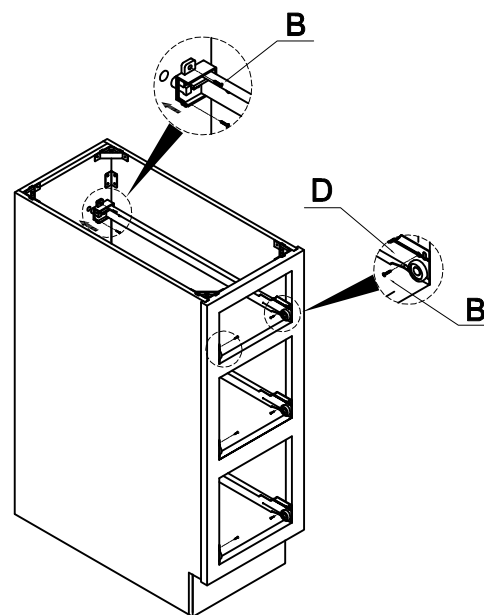


step 3

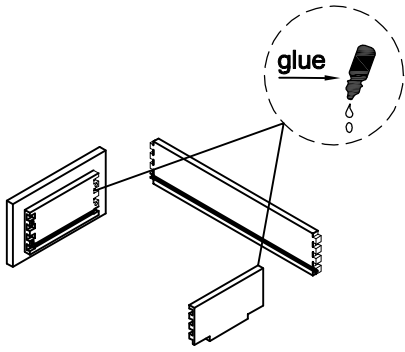


step 4

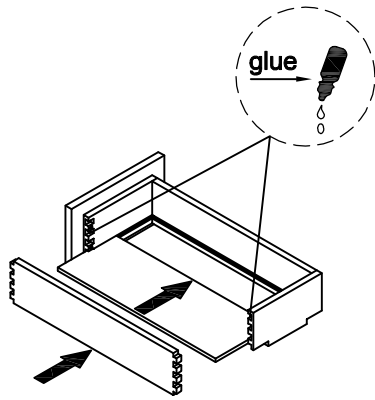
step 5



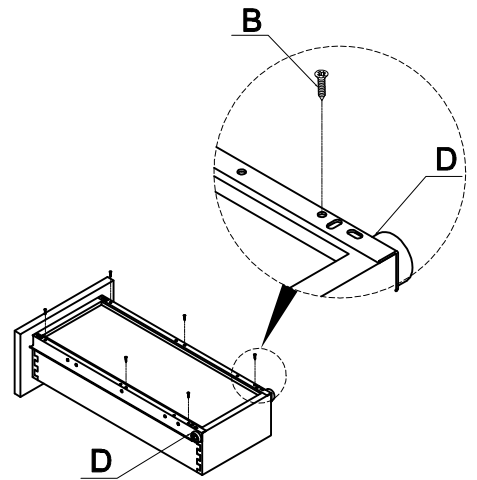
step 6



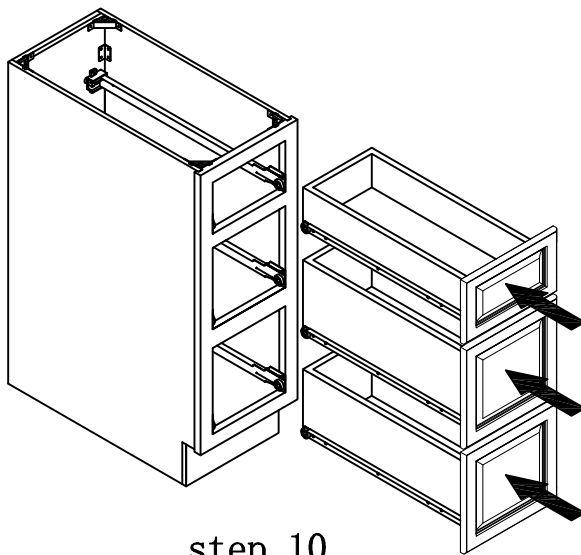
step 7



step 8



step 9



step 10

