

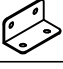

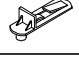

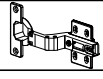

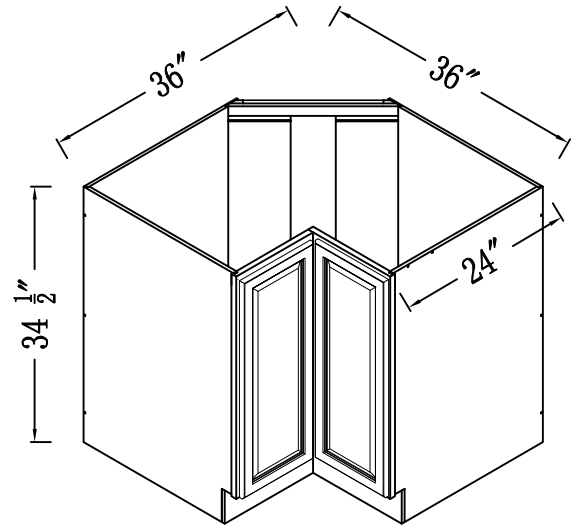


PART LIST

NO.	Picture	Specification	Qty
A		Screws $\varnothing 3 \times 1/2$ "	48
B		Screws $\varnothing 4 \times 1$ "	37
C		Metal Clip	9
D		Corner Brackets	4
E		Shelf Clips	8
F		Door Stopper	1
G		165° Hinges	2
H		Screws $\varnothing 4 \times 5/8$ "	12











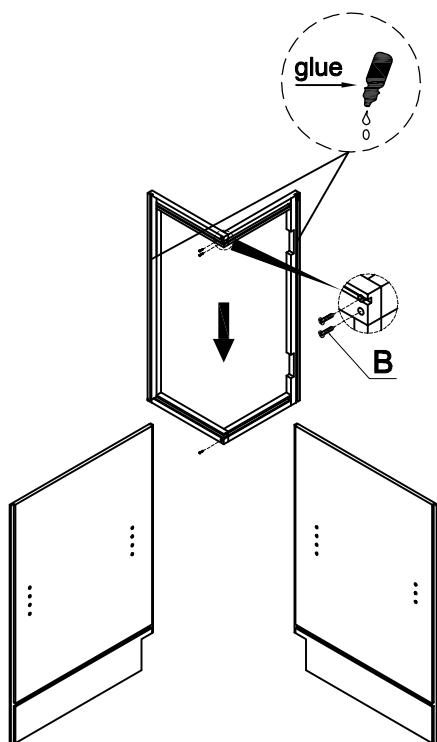
LS36

Unit: inch

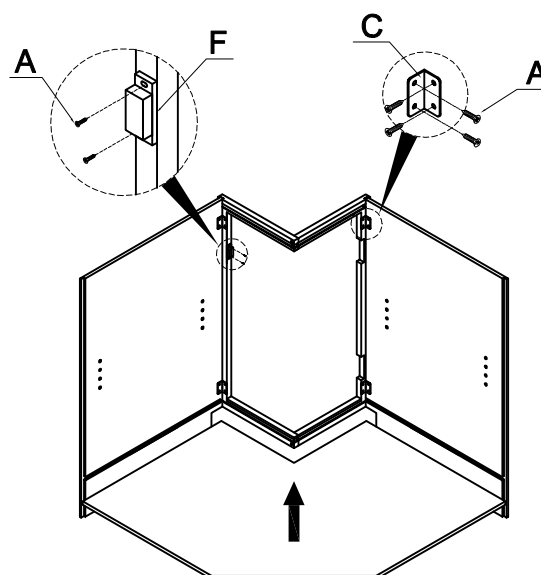
<p>1</p> <p>Door</p>	<p>2</p> <p>Left Face frame</p>	<p>3</p> <p>Right Face frame</p>	<p>4</p> <p>Left Face Side Panel</p>	<p>5</p> <p>Right Face Side Panel</p>
<p>6</p> <p>Left Back Side Panel</p>	<p>7</p> <p>Right Back Side Panel</p>	<p>8</p> <p>Bottom Panel</p>	<p>9</p> <p>Shelf</p>	<p>10</p> <p>Back board</p>
<p>11</p> <p>Above Panel</p>	<p>12</p> <p>Left Toe Kick</p>	<p>13</p> <p>Right Toe Kick</p>	<p>14</p> <p>Wale Piece</p>	

Assembly instructions

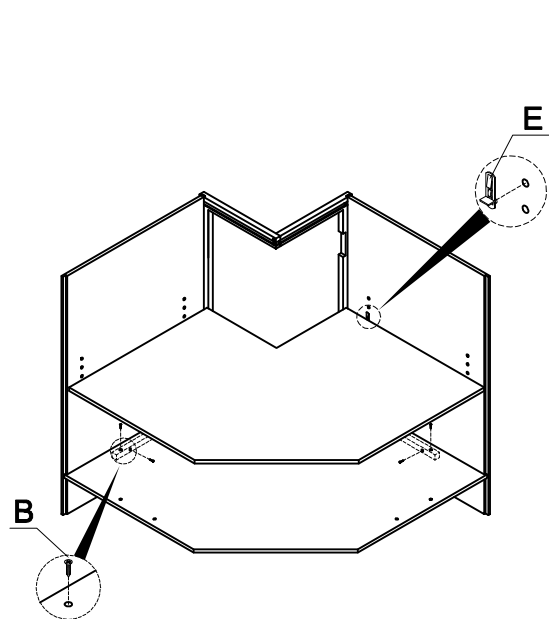
NO.	PICTURE	SIZE	QTY	NO.	PICTURE	SIZE	QTY
A		Screws $\text{Ø}3 \times 1/2''$	48	E		Shelf Clip	8
B		Screws $\text{Ø}4 \times 1''$	37	F		Door Stopper	1
C		Metal Clip	9	G		165° Hinges	2
D		Corner Brackets	4	H		Screws $\text{Ø}4 \times 5/8''$	12



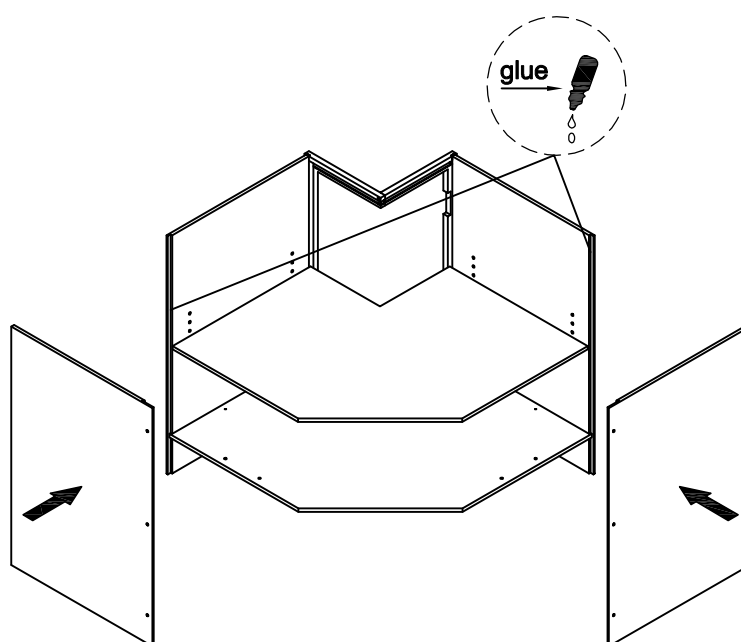
step 1



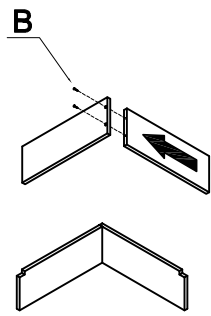
step 2



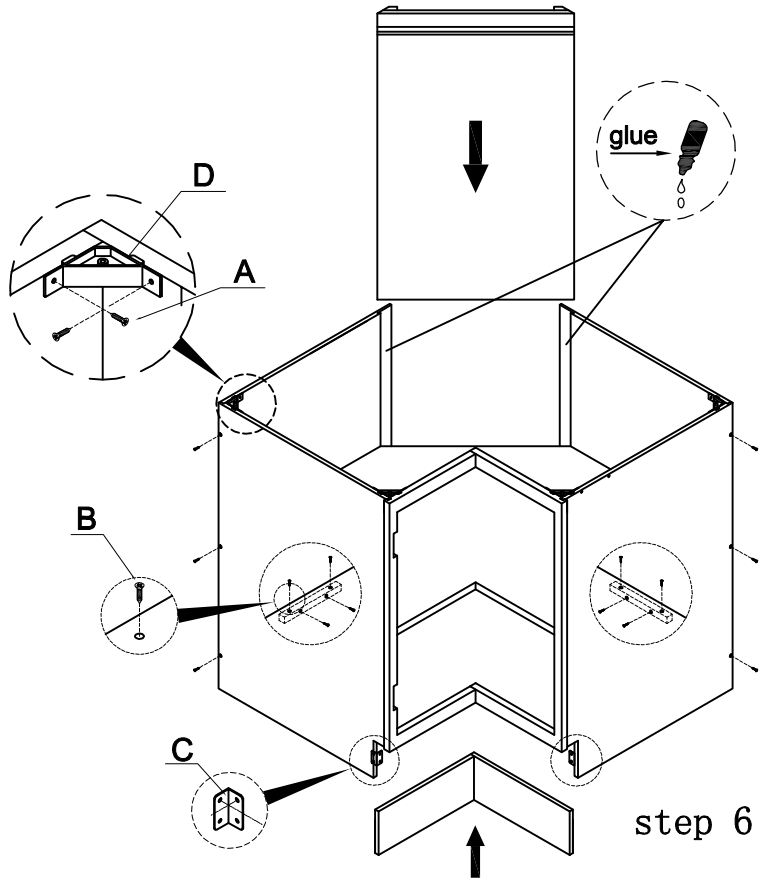
step 3



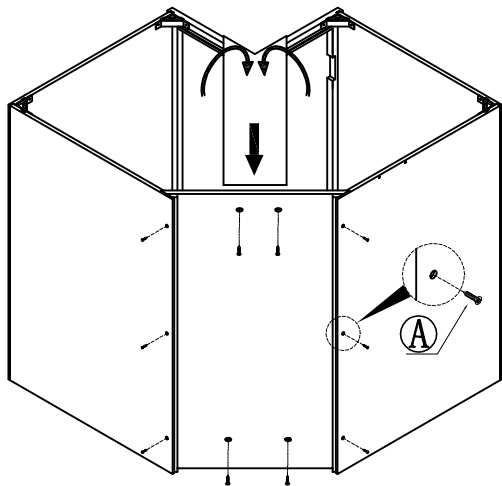
step 4



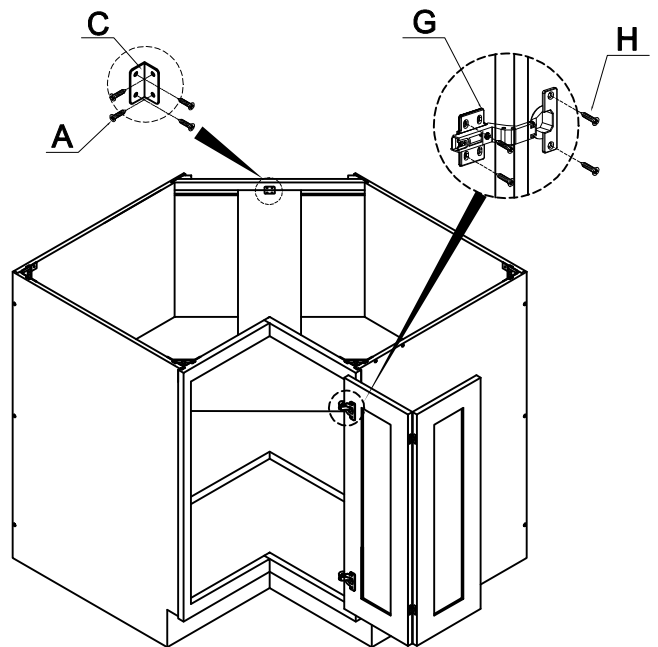
step 5



step 6



step 7



step 8