

Part List












CB36

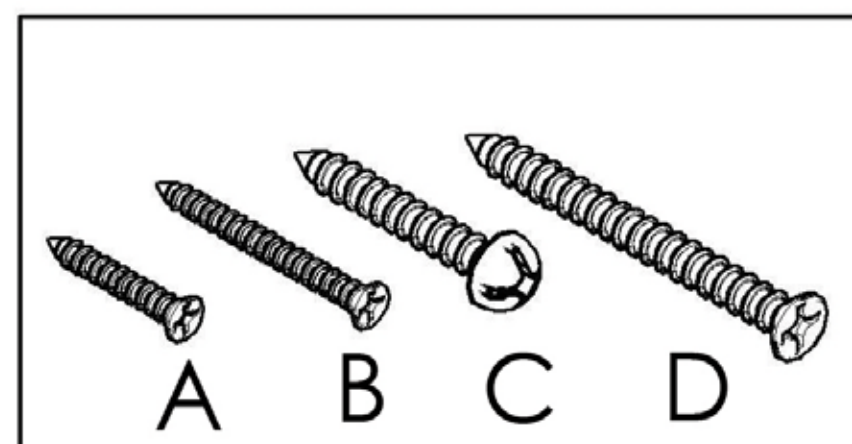
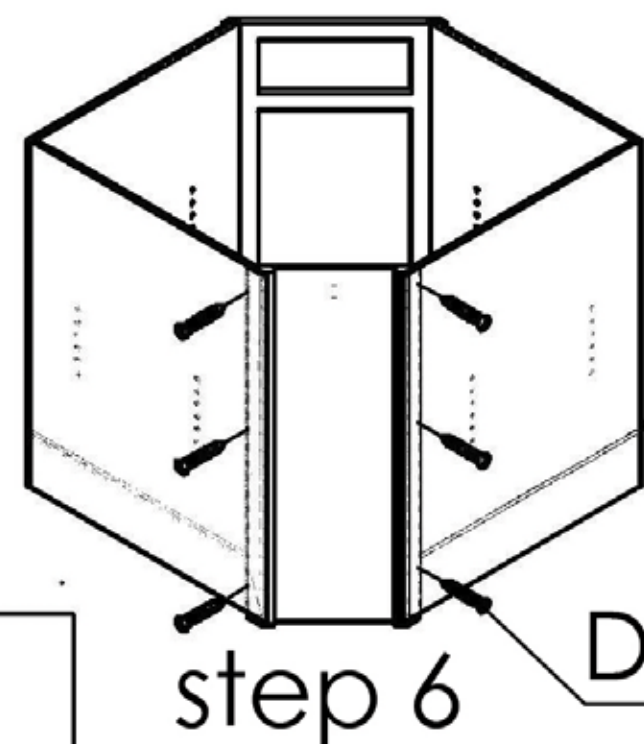
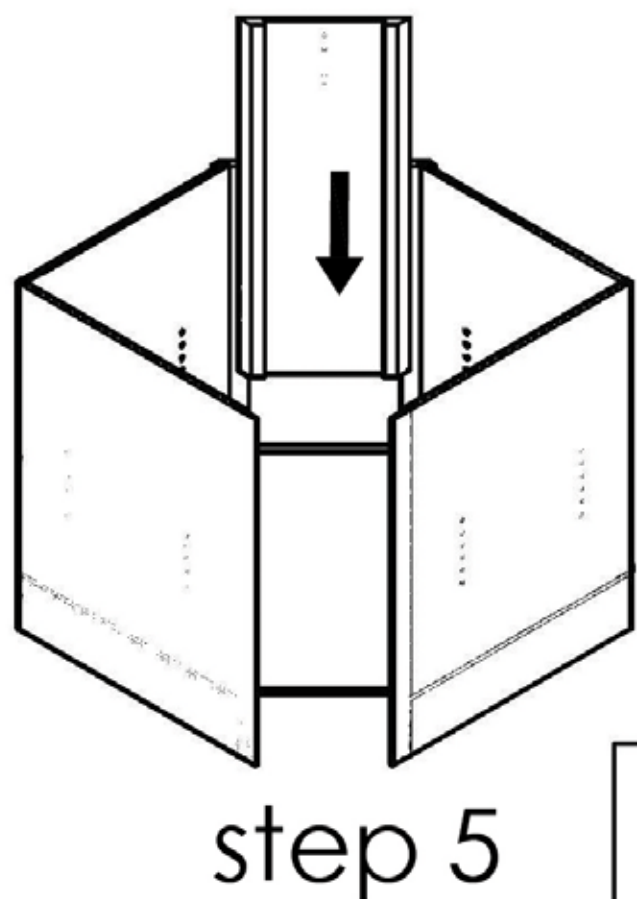
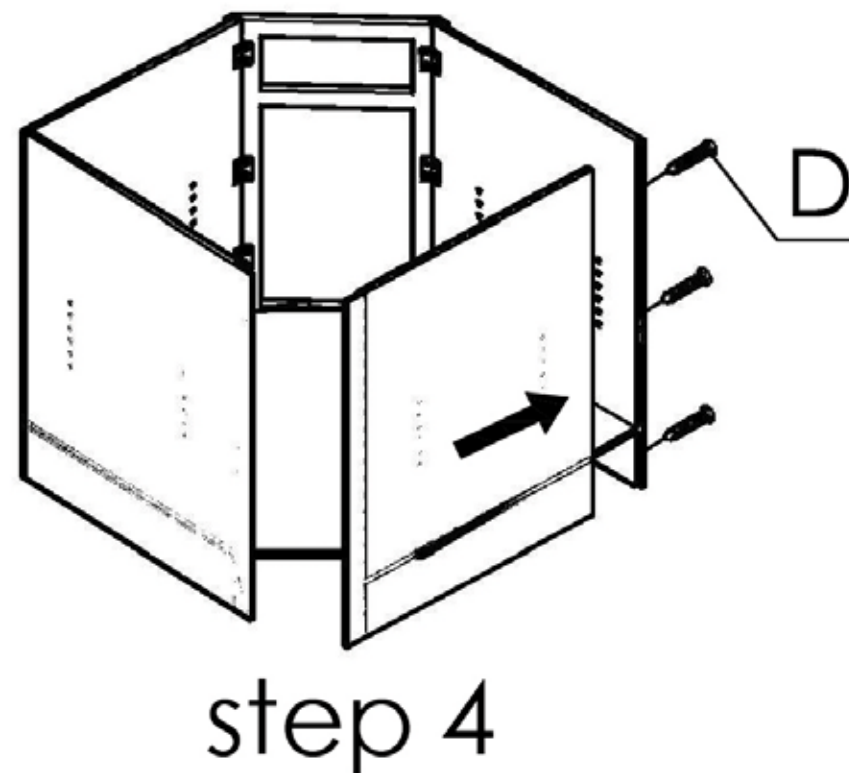
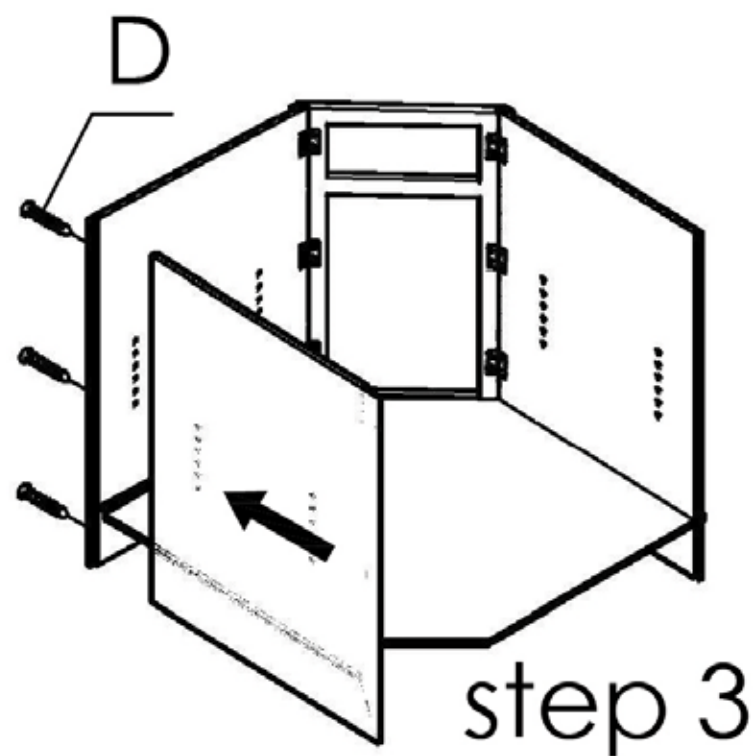
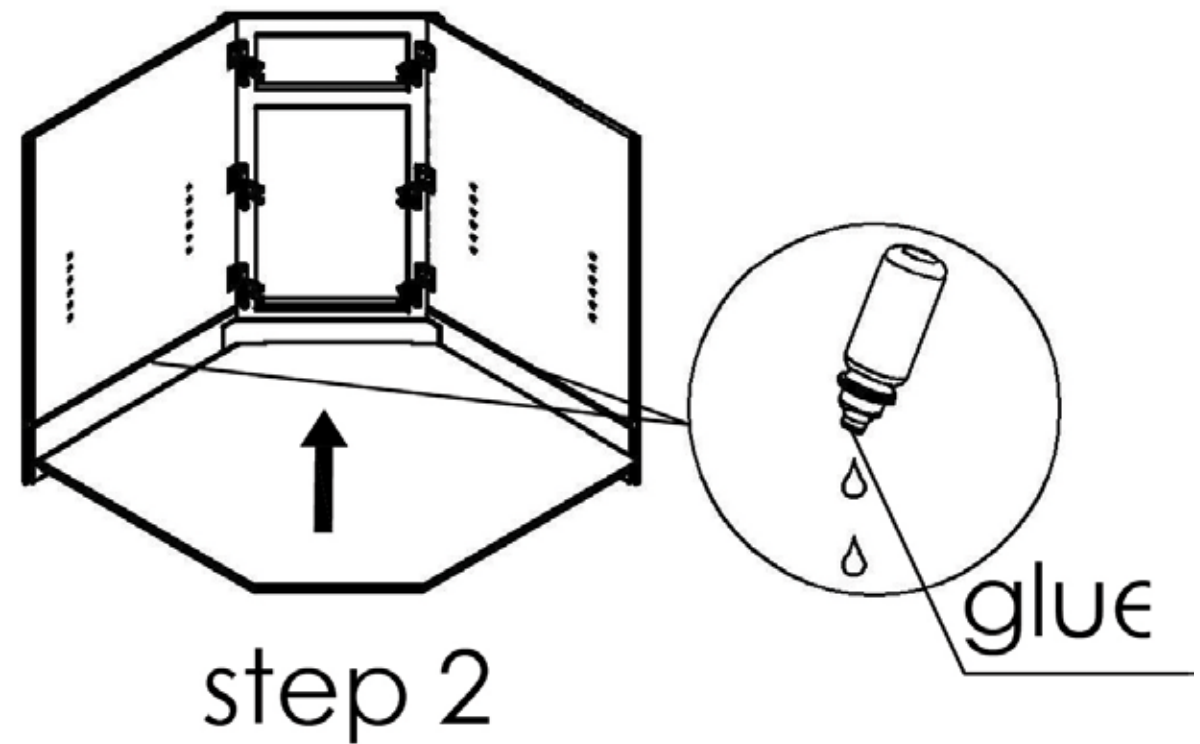
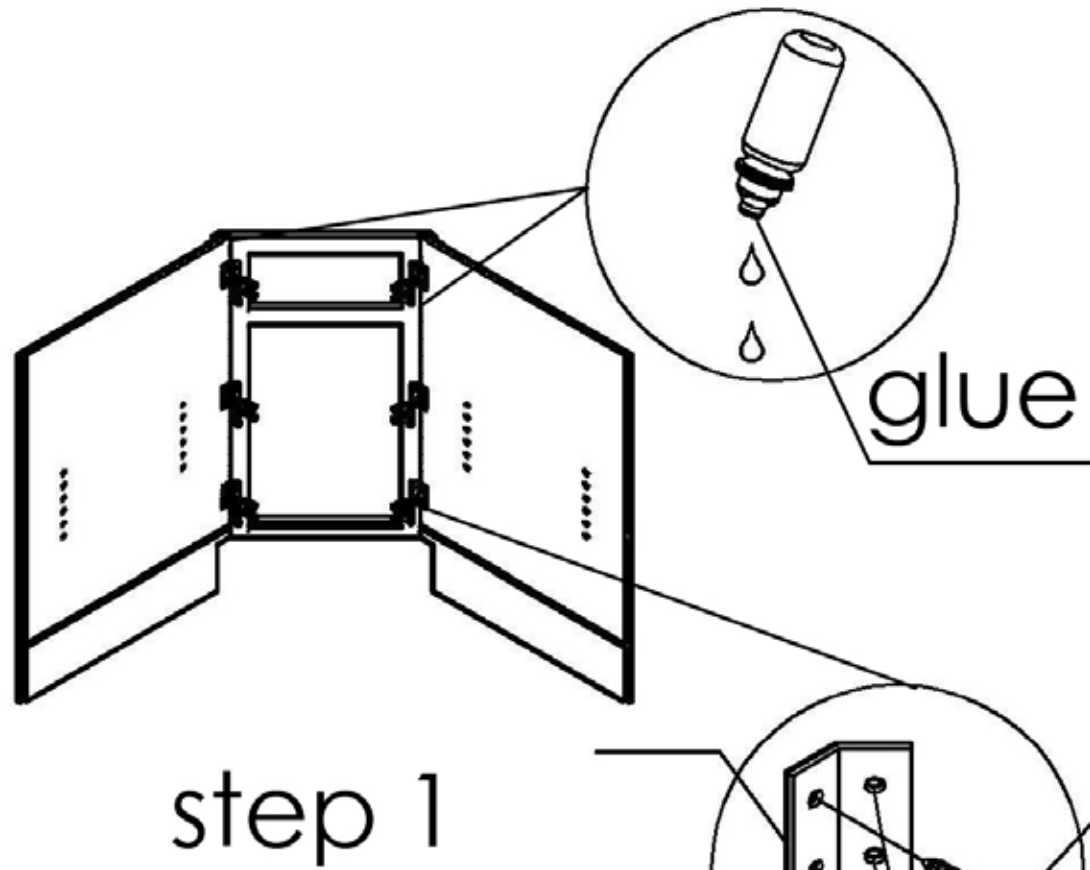
Unit: inch

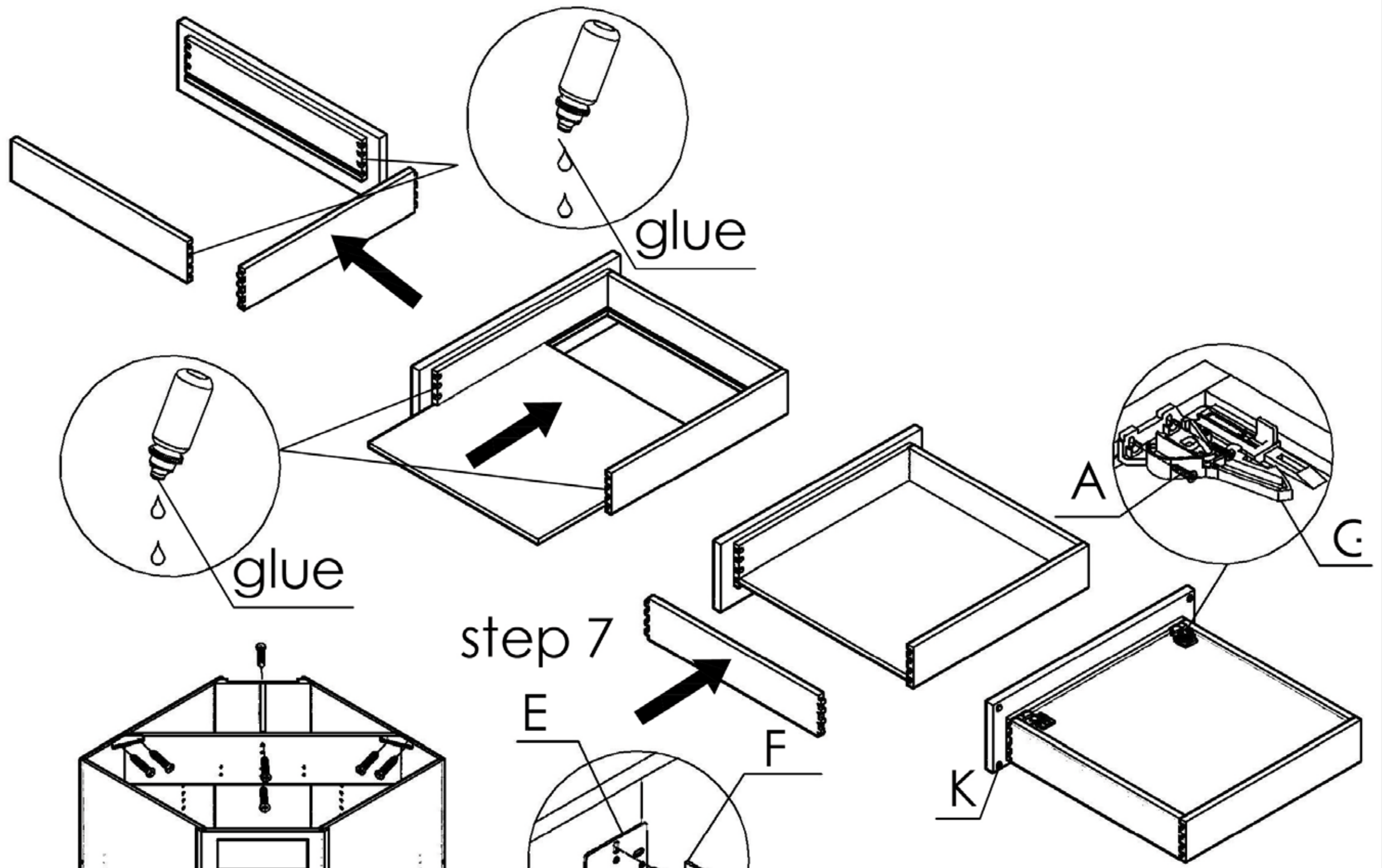
No	Picture	Specification	Qty
A		Screw Ø3*1/2"	56
B		Screw Ø3*5/8"	4
C		Screw Ø4*5/8"	2
D		Screw Ø4*1 3/16"	20
E		L Bracket	2
F		Drawer Glides	2
G		Glide Connector	2
H		135° Metal Clip	12
I		Shelf Clip	8
J		Hinges	2
K		Bumper	6

1 Door 	2 Face Frame 	3 Left Face Side Panel
4 Right Face Side Panel 	5 Left Back Side Panel 	6 Right Back Side Panel
7 Back Panel 	8 Bottom Panel 	9 Toe kick
10 Support Panel 1 	11 Support Panel 2 	12 Shelf
13 Drawer Front 	14 Drawer Sides 	15 Drawer Back
		16 Drawer Bottom

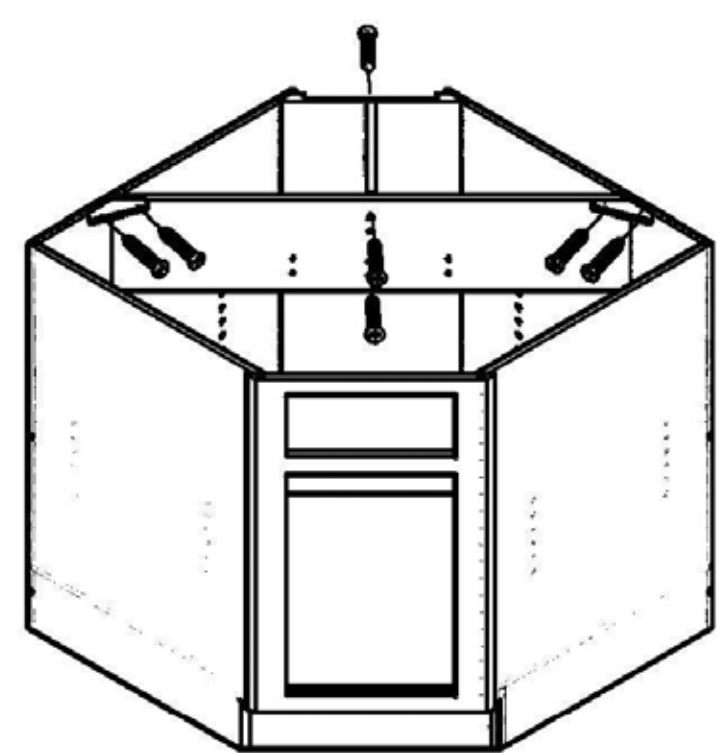
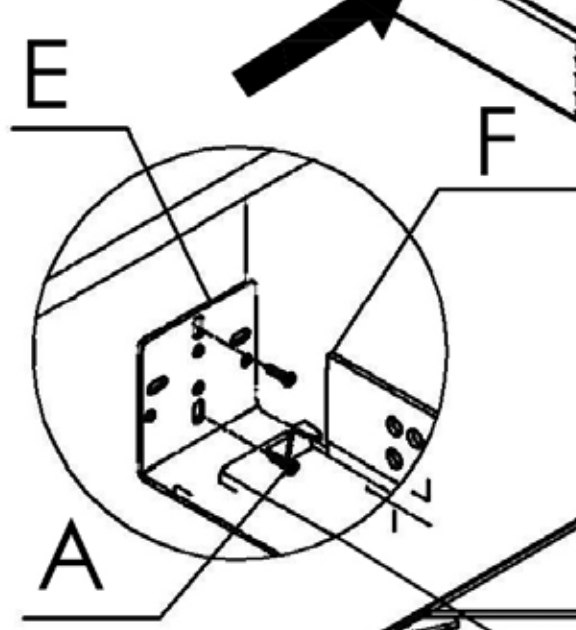
Assembly instructions

No	Picture	Specification	Qty	No	Picture	Specification	Qty
A		Screw $\varnothing 3 \times 1/2$ "	56	G		Glide Connector	2
B		Screw $\varnothing 3 \times 5/8$ "	4	H		135° Metal Clip	12
C		Screw $\varnothing 4 \times 5/8$ "	2	I		Shelf Clip	8
D		Screw $\varnothing 4 \times 1 \frac{3}{16}$ "	20	J		Hinges	2
E		L Bracket	2	K		Bumper	6
F		Drawer Glides	2				

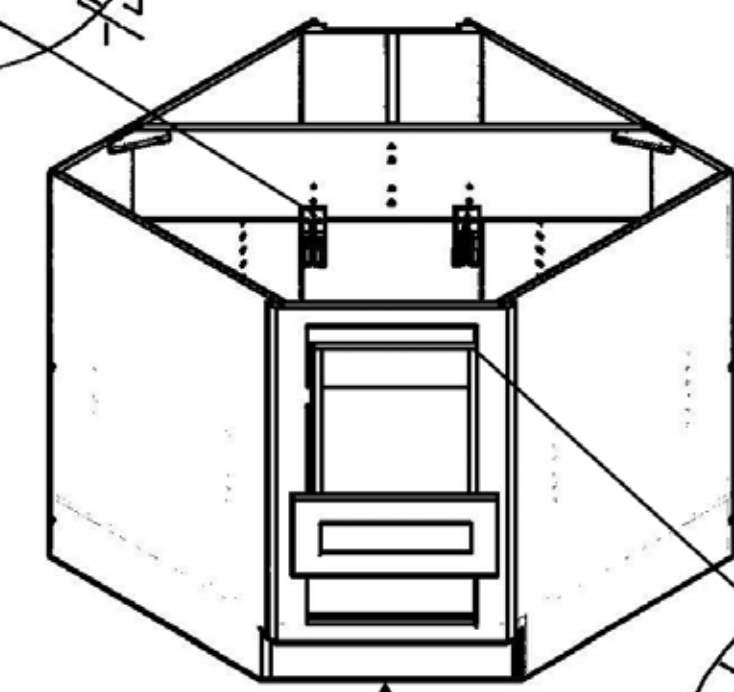




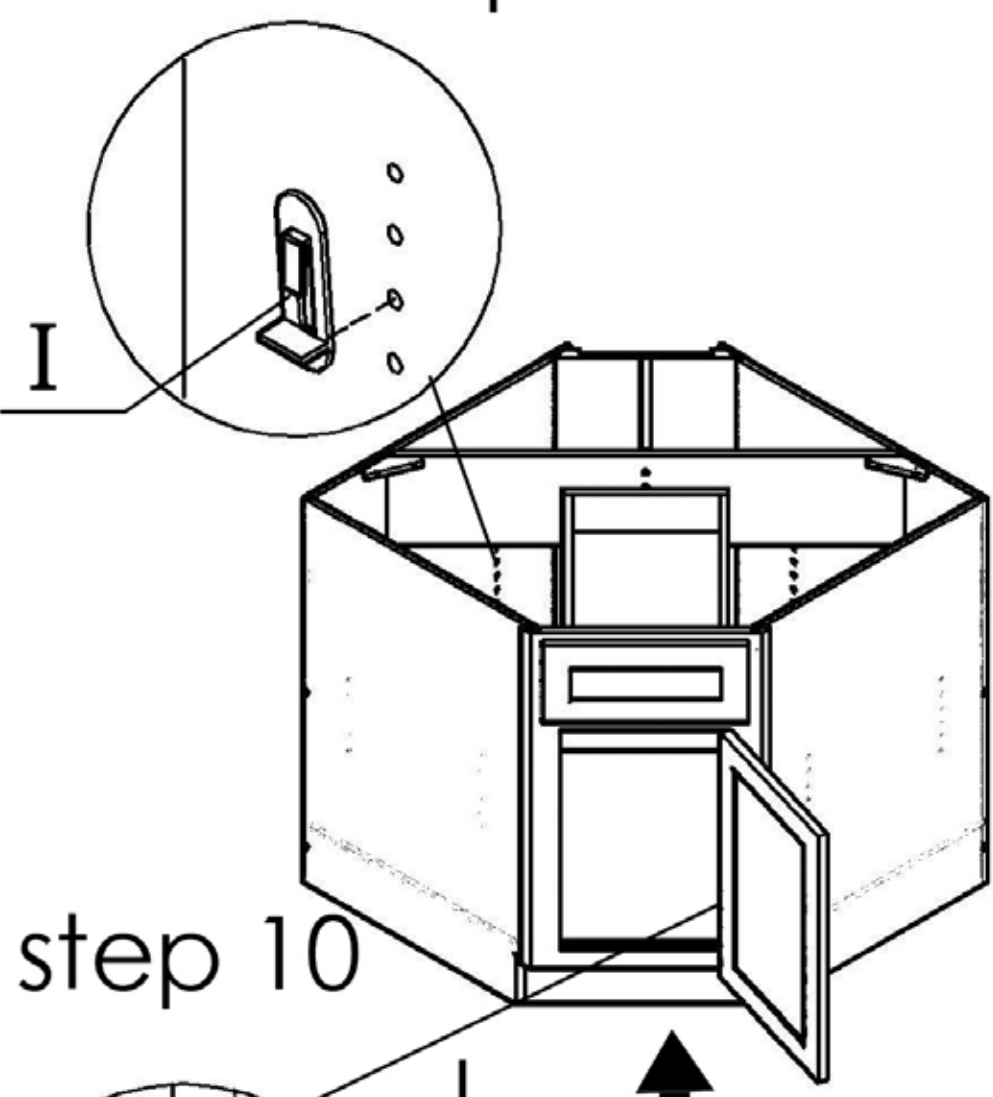
step 7



step 8



step 9



step 10

