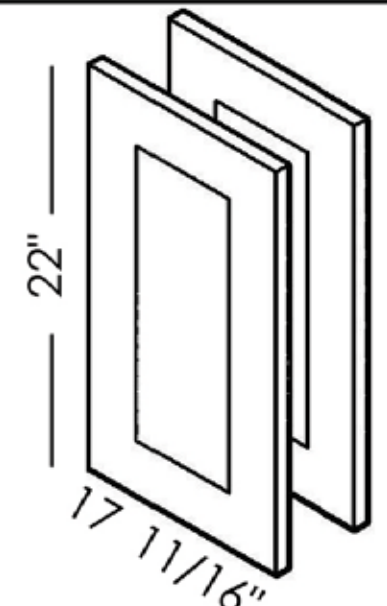
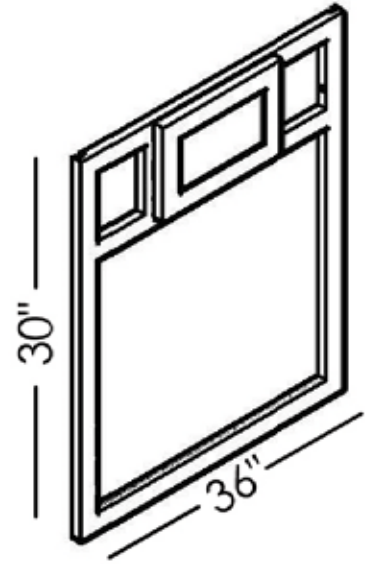
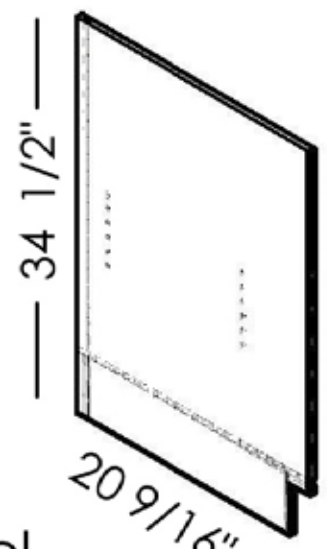
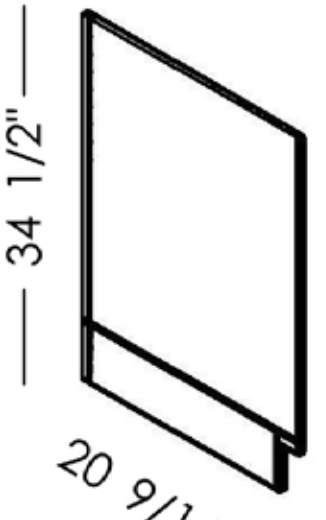
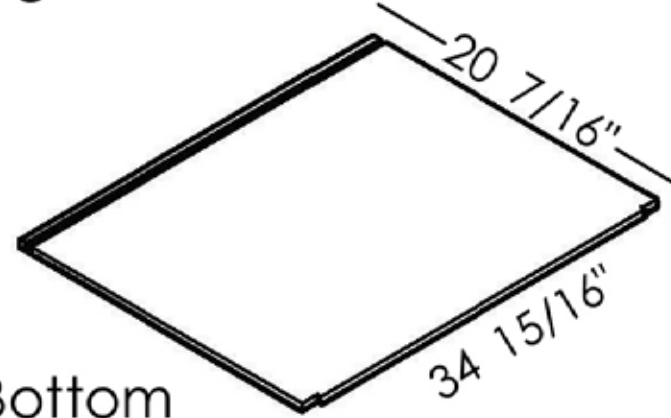
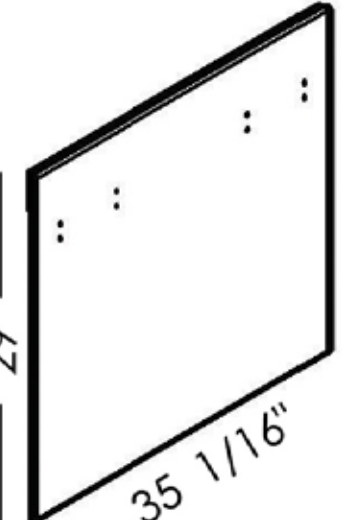
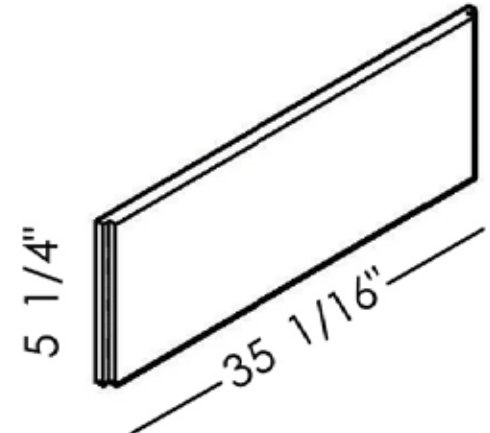
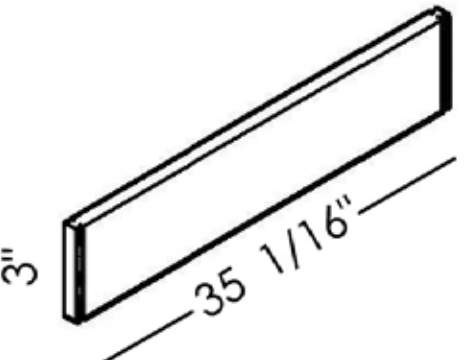
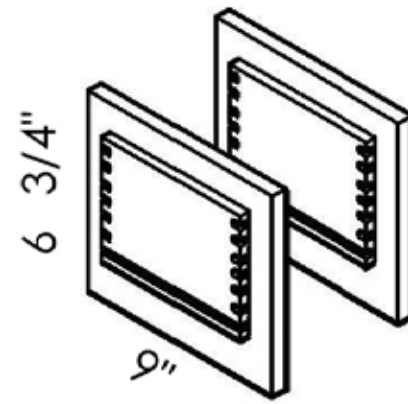
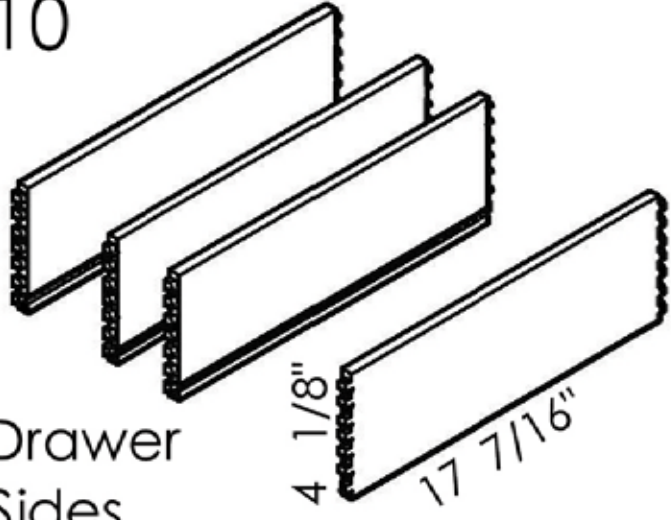
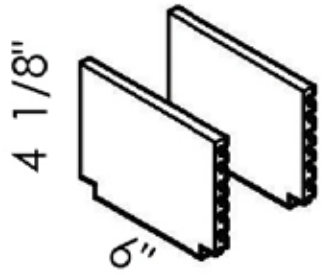
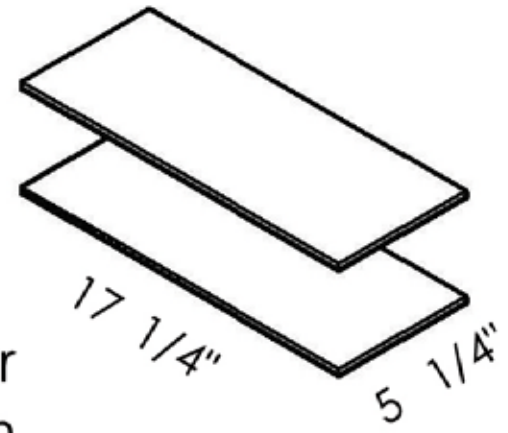


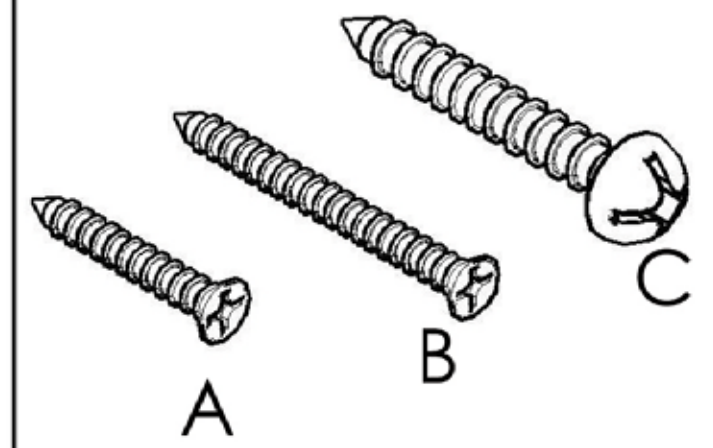
Part List

| No | Picture | Specification | Qty |
|----|---------|-----------------|-----|
| A | | Screw Ø3*1/2" | 32 |
| B | | Screw Ø3*5/8" | 8 |
| C | | Screw Ø4*5/8" | 4 |
| D | | L Bracket | 4 |
| E | | Drawer Glides | 4 |
| F | | Glide Connector | 4 |
| G | | Corner Bracket | 4 |
| H | | Metal Clip | 4 |
| I | | Hinges | 4 |
| J | | Bumper | 12 |

VB3621

Unit: inch

| | | |
|---|--|---|
| <p>1</p>  <p>Left/Right Door</p> | <p>2</p>  <p>Face Frame</p> | <p>3</p>  <p>Left Side Panel</p> |
| <p>4</p>  <p>Right Side Panel</p> | <p>5</p>  <p>Bottom Panel</p> | <p>6</p>  <p>Back Panel</p> |
| <p>7</p>  <p>Front Toe kick</p> | <p>8</p>  <p>Back Toe kick</p> | <p>9</p>  <p>Left/Right Drawer Front</p> |
| <p>10</p>  <p>Drawer Sides</p> | <p>11</p>  <p>Drawer Back</p> | <p>12</p>  <p>Drawer Bottom</p> |



Assembly instructions

| No | Picture | Specification | Qty | No | Picture | Specification | Qty |
|----|---------|-----------------|-----|----|---------|----------------|-----|
| A | | Screw Ø3*1/2" | 32 | G | | Corner Bracket | 4 |
| B | | Screw Ø3*5/8" | 8 | H | | Metal Clip | 4 |
| C | | Screw Ø4*5/8" | 4 | I | | Hinges | 4 |
| D | | L Bracket | 4 | J | | Bumper | 12 |
| E | | Drawer Glides | 4 | | | | |
| F | | Glide Connector | 4 | | | | |

