


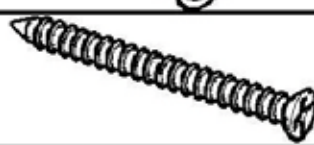




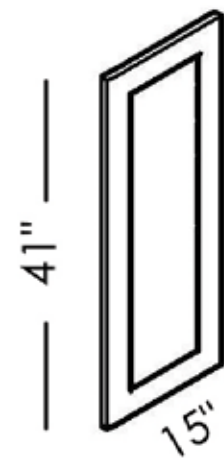
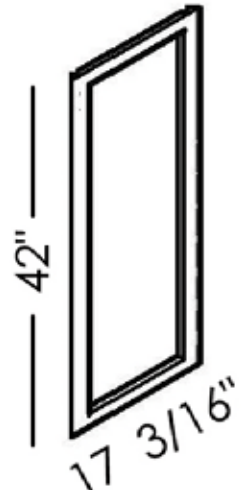
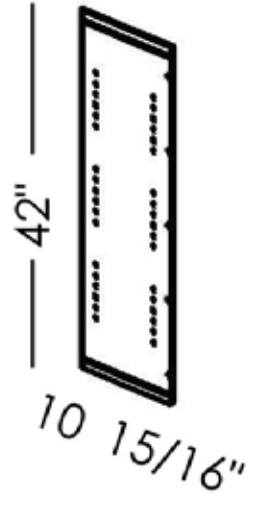
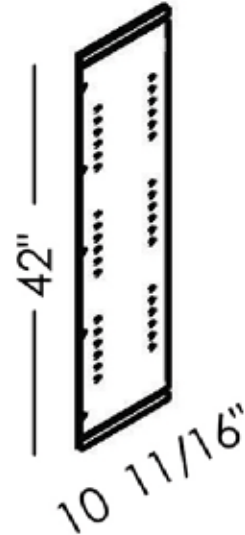
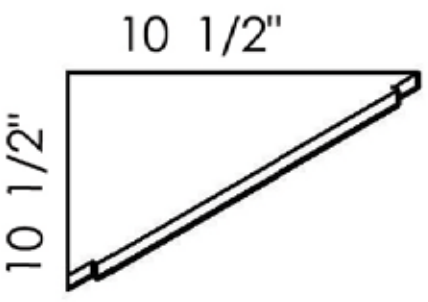
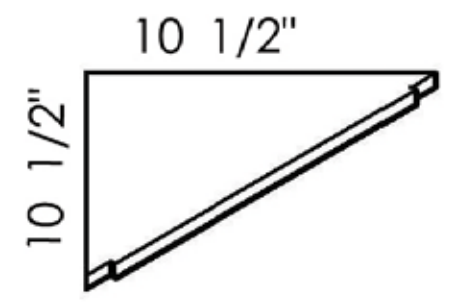
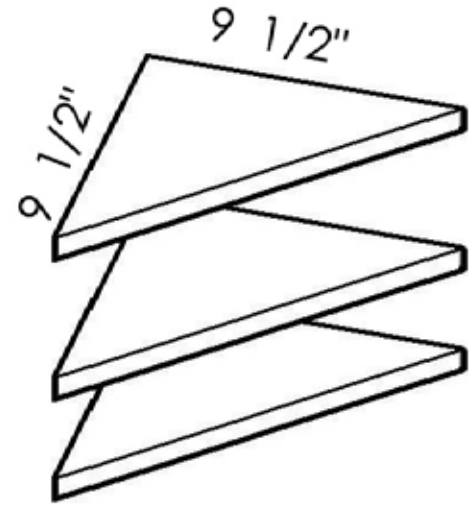
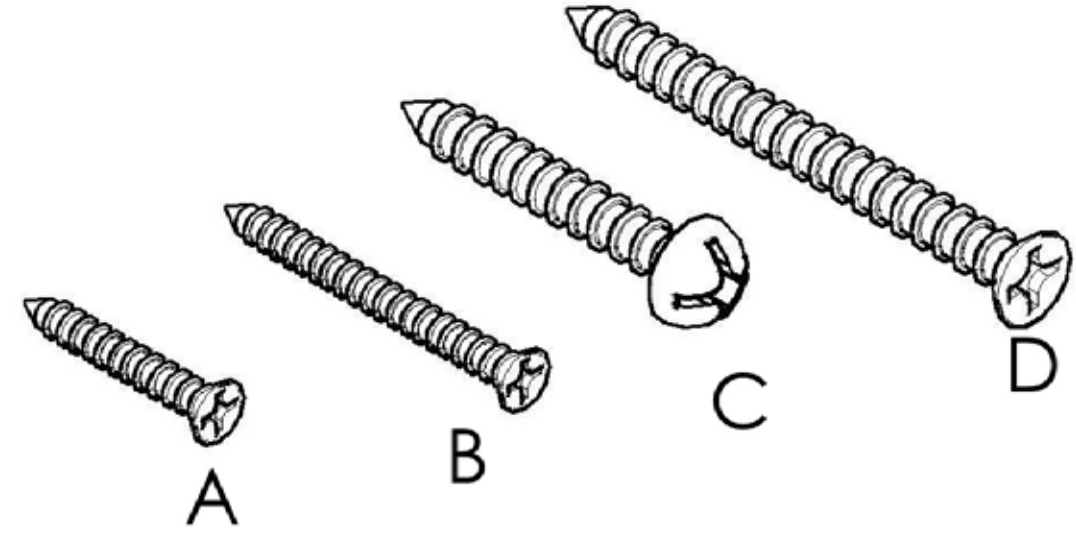


Part List









AW1242 WOFAW1242GDFI

Unit: inch

| No | Picture | Specification | Qty |
|----|---|---|-----|
| A |  | Screw $\text{Ø}3 \times 1/2$ " | 44 |
| B |  | Screw $\text{Ø}3 \times 5/8$ " | 4 |
| C |  | Screw $\text{Ø}4 \times 5/8$ " | 2 |
| D |  | Screw $\text{Ø}4 \times 1 \frac{3}{16}$ " | 15 |
| E |  | Corner Bracket | 2 |
| F |  | Shelf Clip | 12 |
| G |  | Hinges | 3 |
| H |  | Bumper | 2 |
| | | | |
| | | | |

| | | |
|---|--|---|
| <p>1</p>  <p>Door</p> | <p>2</p>  <p>Face Frame</p> | <p>3</p>  <p>Left Side Panel</p> |
| <p>4</p>  <p>Right Side Panel</p> | <p>5</p>  <p>Top Panel</p> | <p>6</p>  <p>Bottom Panel</p> |
| <p>7</p>  <p>Shelf</p> | | |
| | |  |

Assembly instructions

| No | Picture | Specification | Qty | No | Picture | Specification | Qty |
|----|---|---|-----|----|---|----------------|-----|
| A |  | Screw $\varnothing 3 \times 1/2$ " | 44 | E |  | Corner Bracket | 2 |
| B |  | Screw $\varnothing 3 \times 5/8$ " | 4 | F |  | Shelf Clip | 12 |
| C |  | Screw $\varnothing 4 \times 5/8$ " | 2 | G |  | Hinges | 3 |
| D |  | Screw $\varnothing 4 \times 1 \frac{3}{16}$ " | 15 | H |  | Bumper | 2 |

