






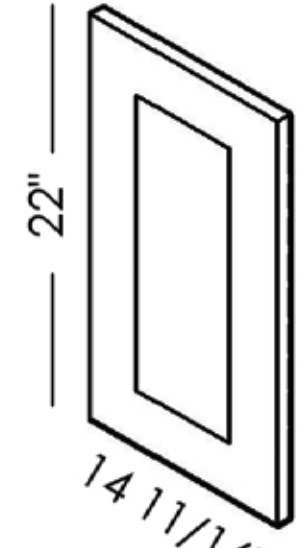
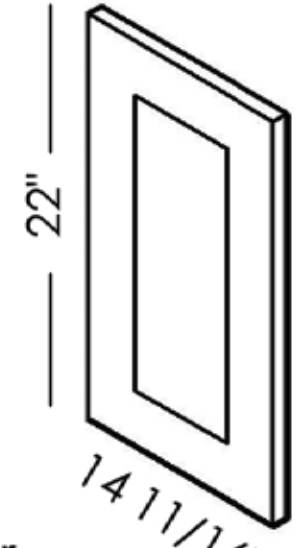
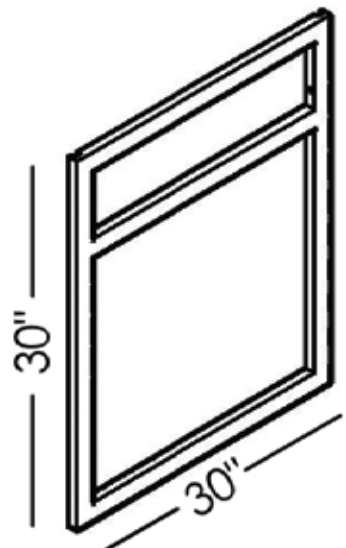
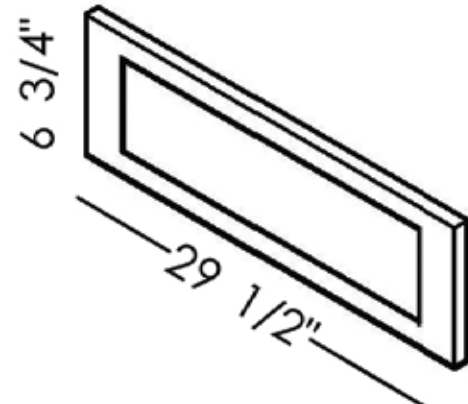
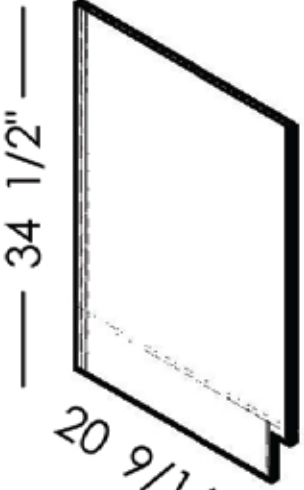
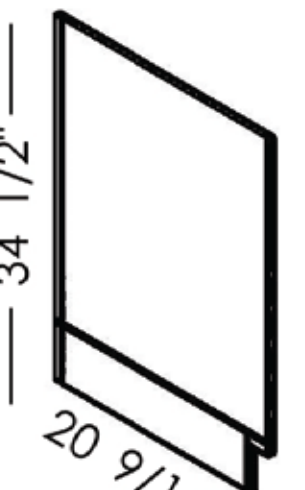
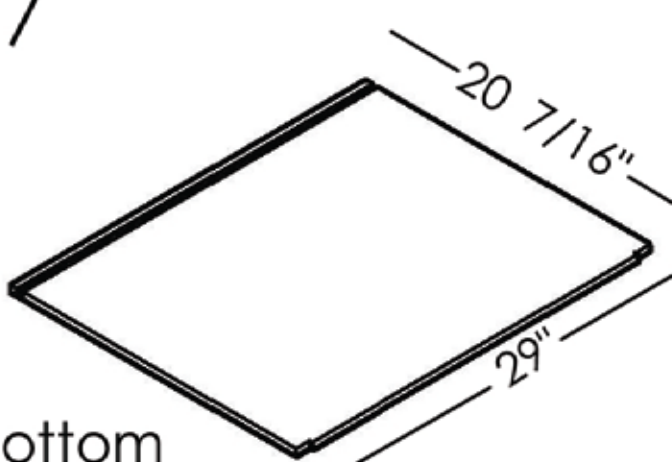
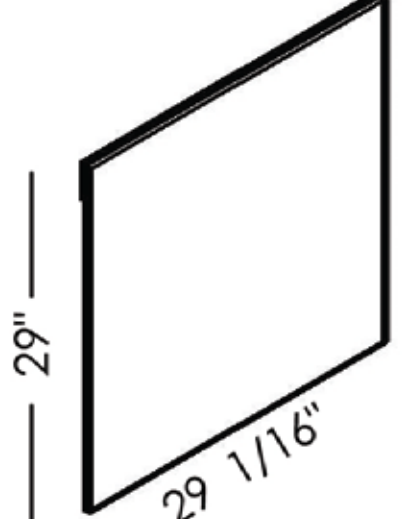
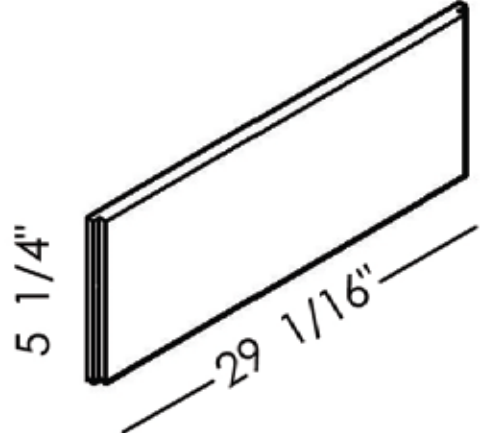
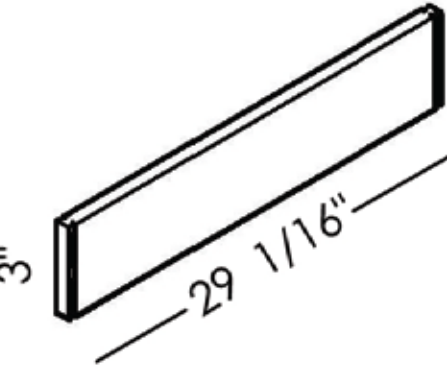
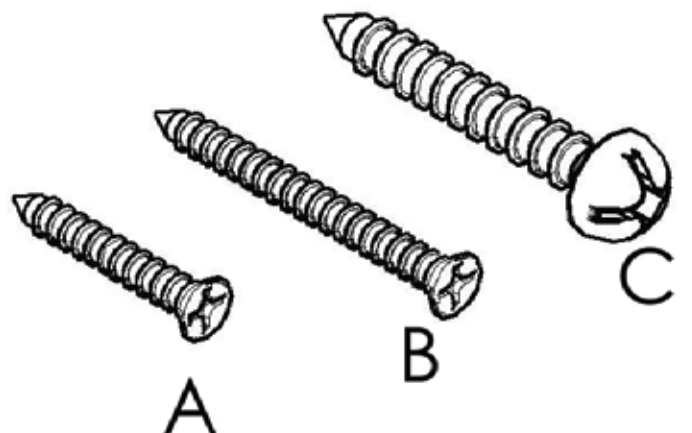


# Part List








No	Picture	Specification	Qty
A		Screw $\text{Ø}3 \times 1/2$ "	32
B		Screw $\text{Ø}3 \times 5/8$ "	8
C		Screw $\text{Ø}4 \times 5/8$ "	4
D		Corner Bracket	4
E		Metal Clip	4
F		Hinges	4
G		Bumper	4

# V3021

Unit: inch

<p>1</p>  <p>Left Door</p>	<p>2</p>  <p>Right Door</p>	<p>3</p>  <p>Face Frame</p>	
<p>4</p>  <p>Drawer face</p>	<p>5</p>  <p>Left Side Panel</p>	<p>6</p>  <p>Right Side Panel</p>	
<p>7</p>  <p>Bottom Panel</p>	<p>8</p>  <p>Back Panel</p>	<p>9</p>  <p>Front Toe kick</p>	
		<p>10</p>  <p>Back Toe kick</p>	
			 <p>A B C</p>

# Assembly instructions

No	Picture	Specification	Qty	No	Picture	Specification	Qty
A		Screw $\varnothing 3 \times 1/2$ "	32	E		Metal Clip	4
B		Screw $\varnothing 3 \times 5/8$ "	8	F		Hinges	4
C		Screw $\varnothing 4 \times 5/8$ "	4	G		Bumper	4
D		Corner Bracket	4				

