

Part List

No	Picture	Specification	Qty
A		Screw Ø3*1/2"	32
B		Screw Ø3*5/8"	4
C		Screw Ø4*5/8"	2
D		L Bracket	2
E		Drawer Glides	2
F		Glide Connector	2
G		Corner Bracket	4
H		Metal Clip	4
I		Shelf Clip	4
J		Hinges	2
K		Bumper	6

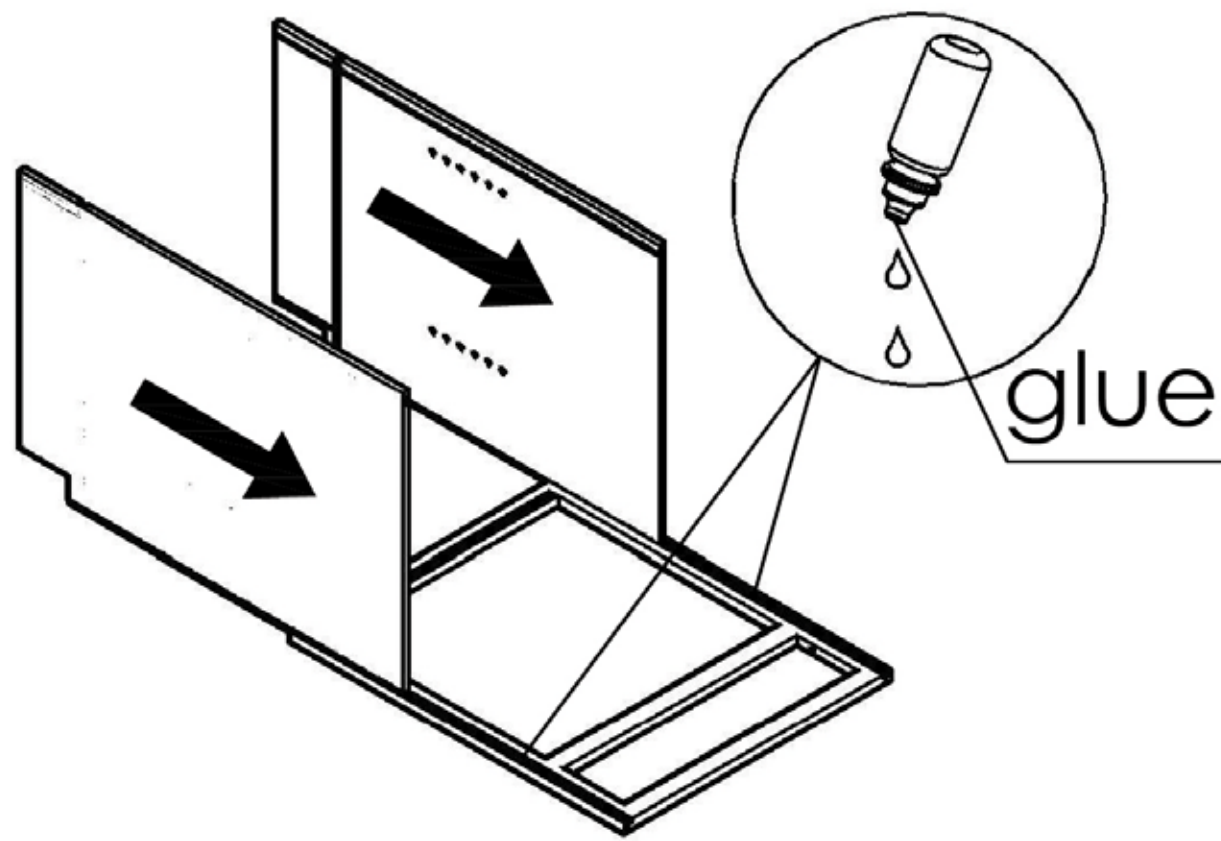
B18

Unit: inch

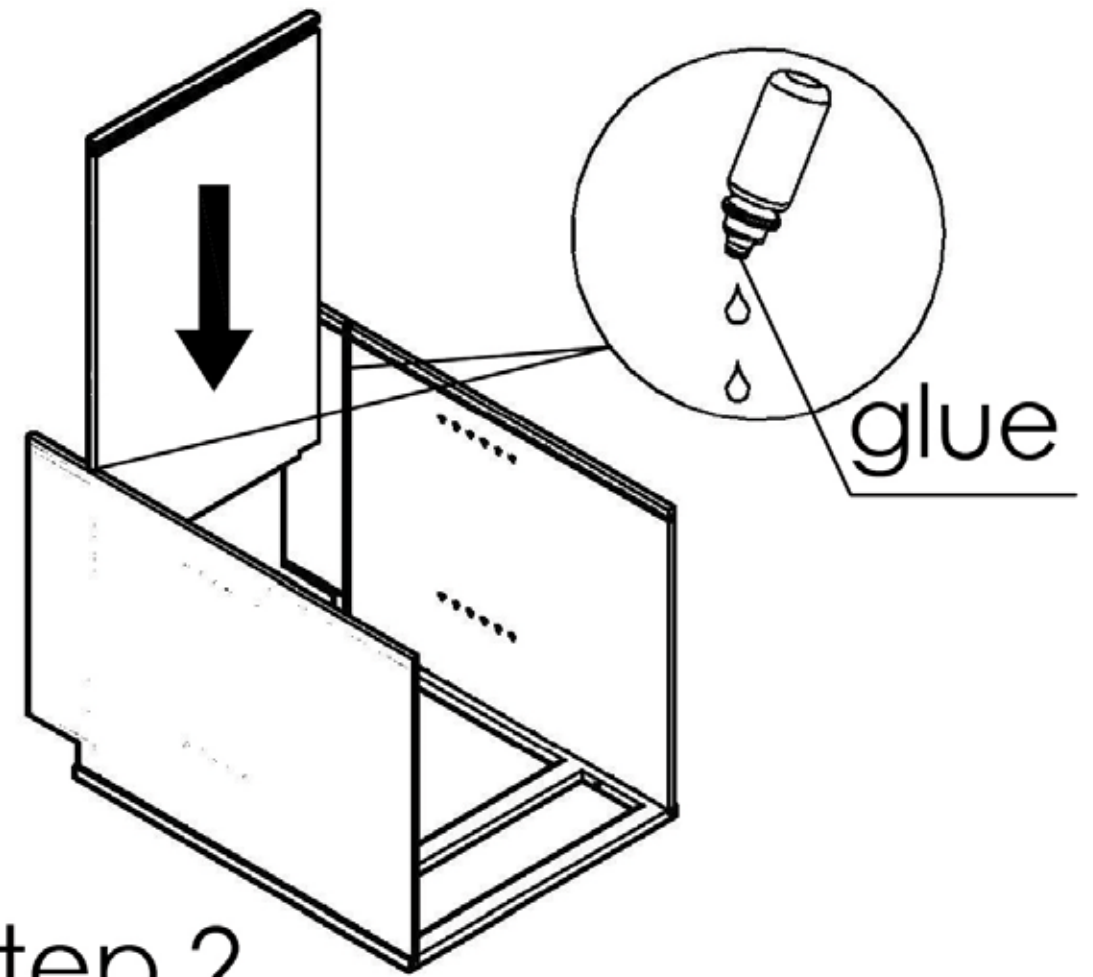
<p>1</p> <p>Door</p>	<p>2</p> <p>Face Frame</p>	<p>3</p> <p>Left Side Panel</p>
<p>4</p> <p>Right Side Panel</p>	<p>5</p> <p>Bottom Panel</p>	<p>6</p> <p>Back Panel</p>
<p>7</p> <p>Front Toe kick</p>	<p>8</p> <p>Back Toe kick</p>	<p>9</p> <p>Shelf</p>
<p>10</p> <p>Drawer Front</p>	<p>11</p> <p>Drawer Sides</p>	<p>12</p> <p>Drawer Back</p>
<p>13</p> <p>Drawer Bottom</p>	<p>A B C</p>	

Assembly instructions

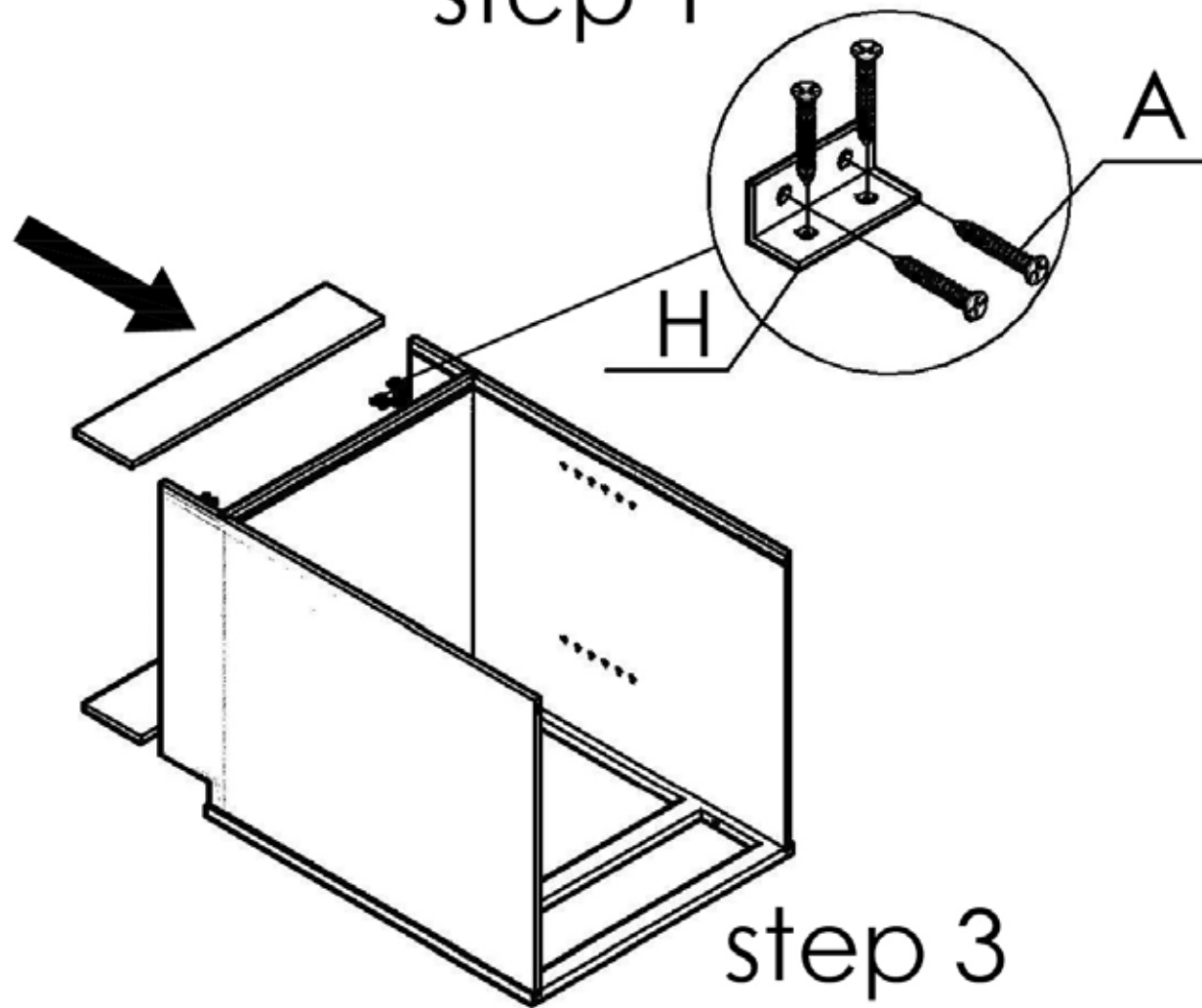
No	Picture	Specification	Qty	No	Picture	Specification	Qty
A		Screw Ø3*1/2"	32	G		Corner Bracket	4
B		Screw Ø3*5/8"	4	H		Metal Clip	4
C		Screw Ø4*5/8"	2	I		Shelf Clip	4
D		L Bracket	2	J		Hinges	2
E		Drawer Glides	2	K		Bumper	6
F		Glide Connector	2				



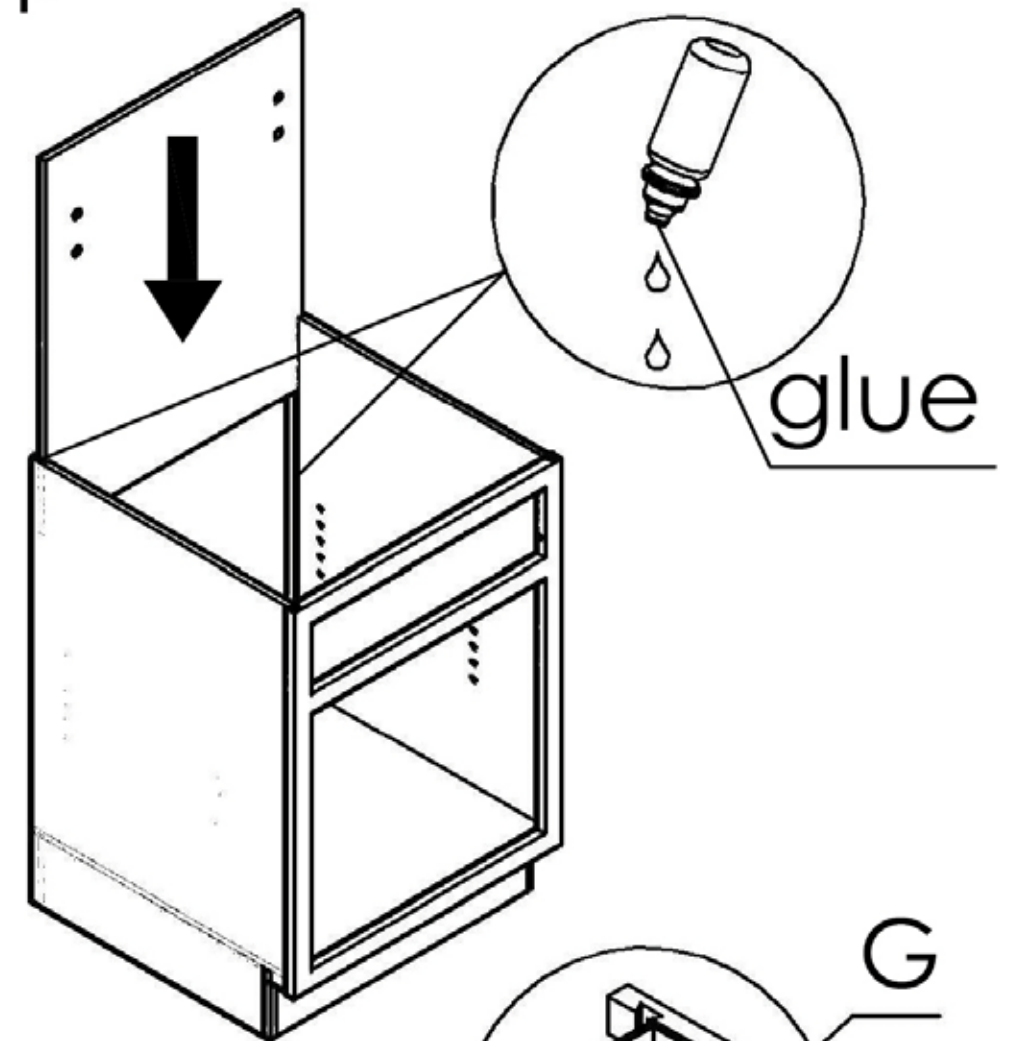
step 1



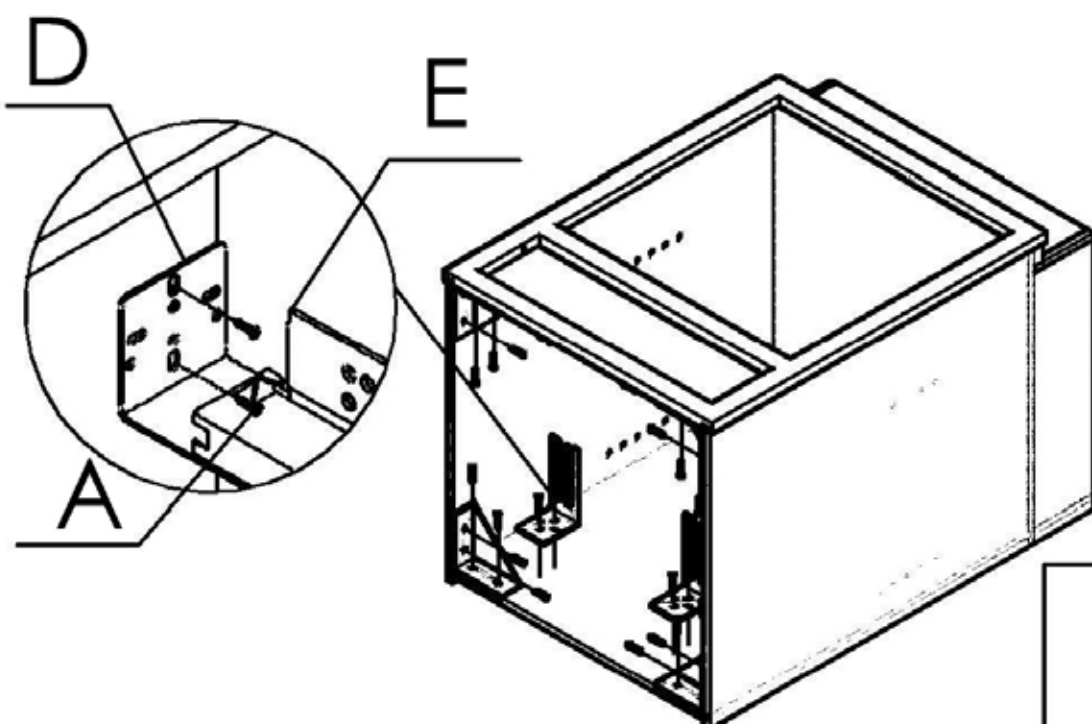
step 2



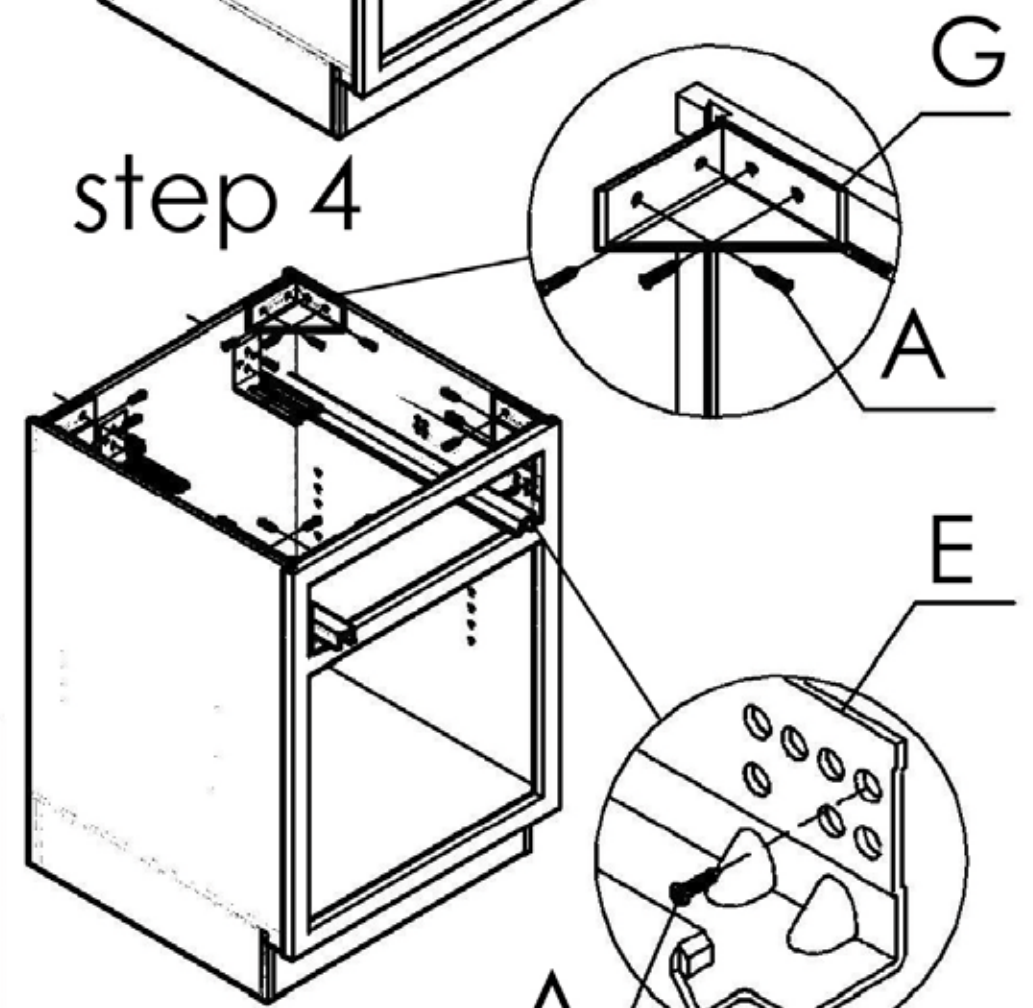
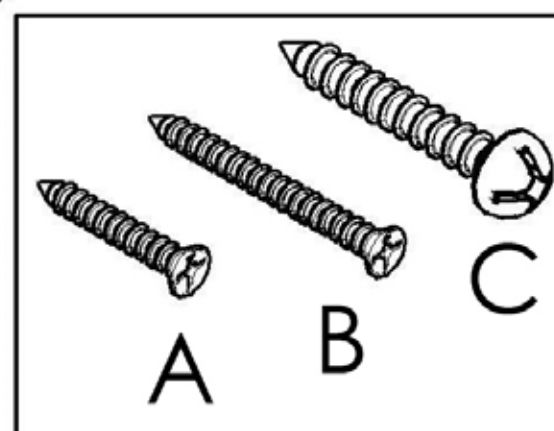
step 3



step 4



step 5



step 6

