

Part List











LS33

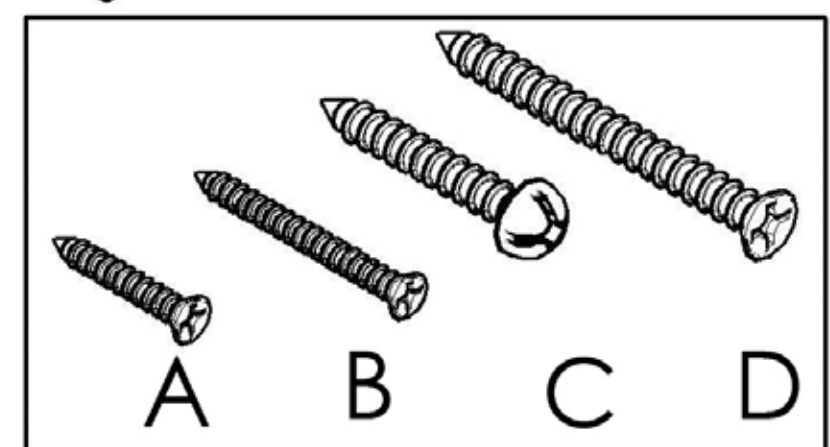
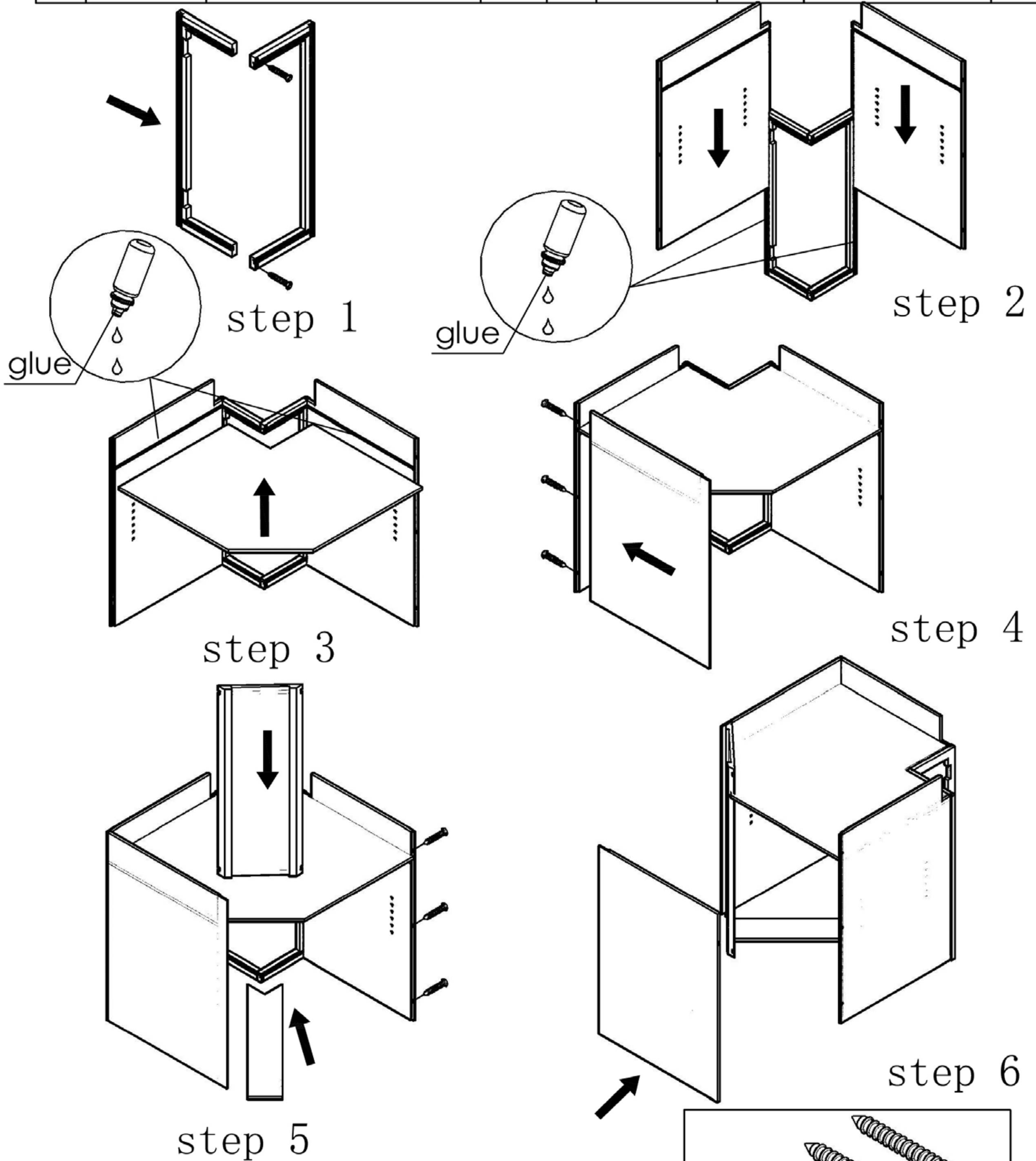
Unit: inch

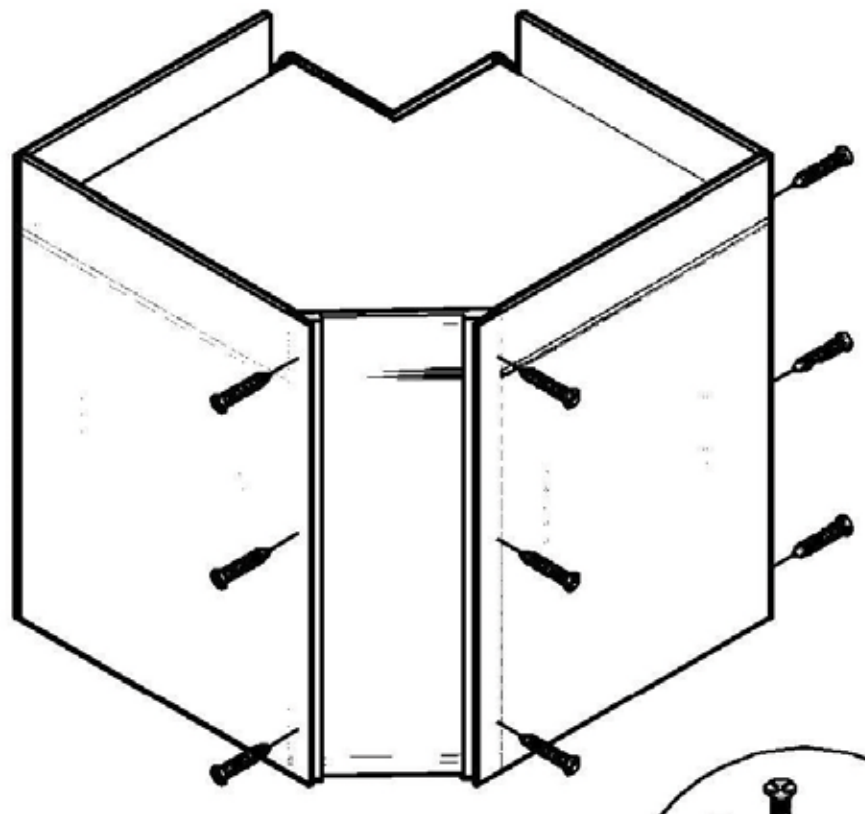
No	Picture	Specification	Qty
A		Screw Ø3*1/2"	96
B		Screw Ø3*5/8"	8
C		Screw Ø4*5/8"	4
D		Screw Ø4*1 3/16"	18
E		Corner Bracket	5
F		Metal Clip	19
G		Shelf Clip	8
H		165° Hinges	2
I		Cross Hinges	2
J		Bumper	4

1 Left Door 	2 Right Door 	3 Left Face Frame 	
4 Right Face Frame 	5 Left Face Side Panel 	6 Right Face Side Panel 	
7 Left Back Side Panel 	8 Right Back Side Panel 	9 Back Panel 	
10 Bottom Panel 	11 Above Panel 	12 Left Toe Kick 	
13 Right Toe Kick 	14 Shelf 	<p>A B C D</p>	

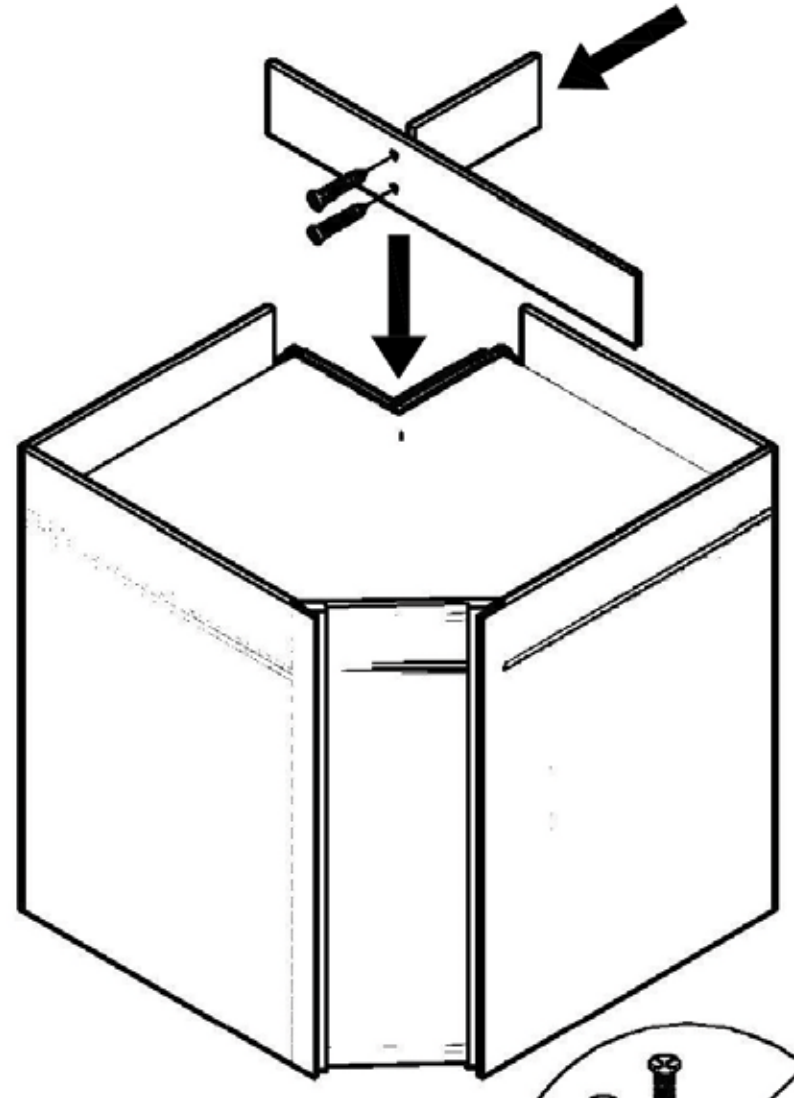
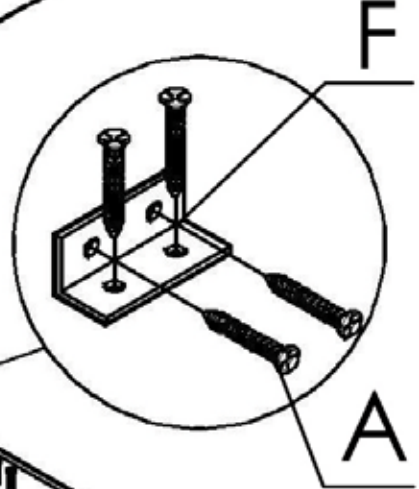
Assembly instructions

No	Picture	Specification	Qty	No	Picture	Specification	Qty
A		Screw $\varnothing 3 \times 1/2$ "	96	F		Corner Bracket	19
B		Screw $\varnothing 3 \times 5/8$ "	8	G		Shelf Clip	8
C		Screw $\varnothing 4 \times 5/8$ "	4	H		165° Hinges	2
D		Screw $\varnothing 4 \times 1 \frac{3}{16}$ "	18	I		Cross Hinges	2
E		Corner Bracket	4	J		Bumper	4

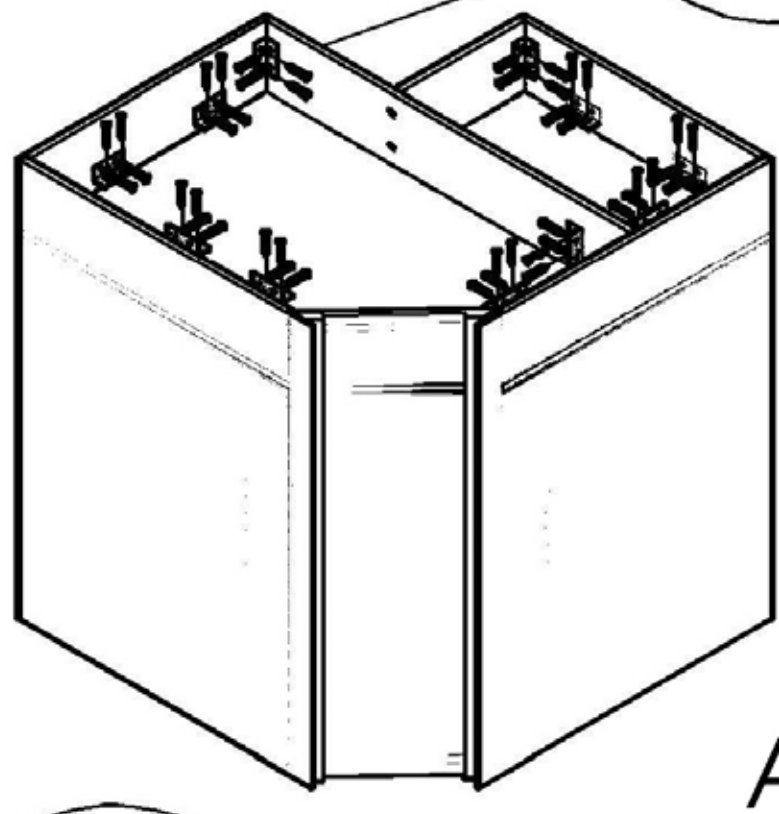
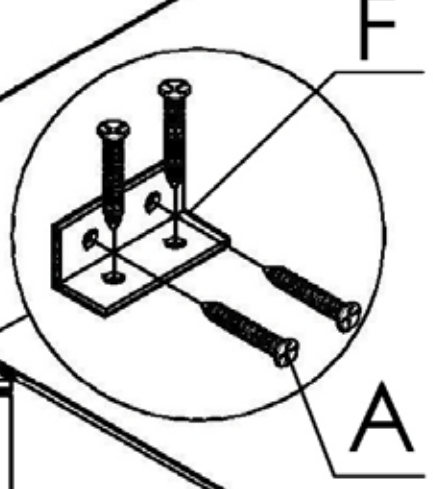




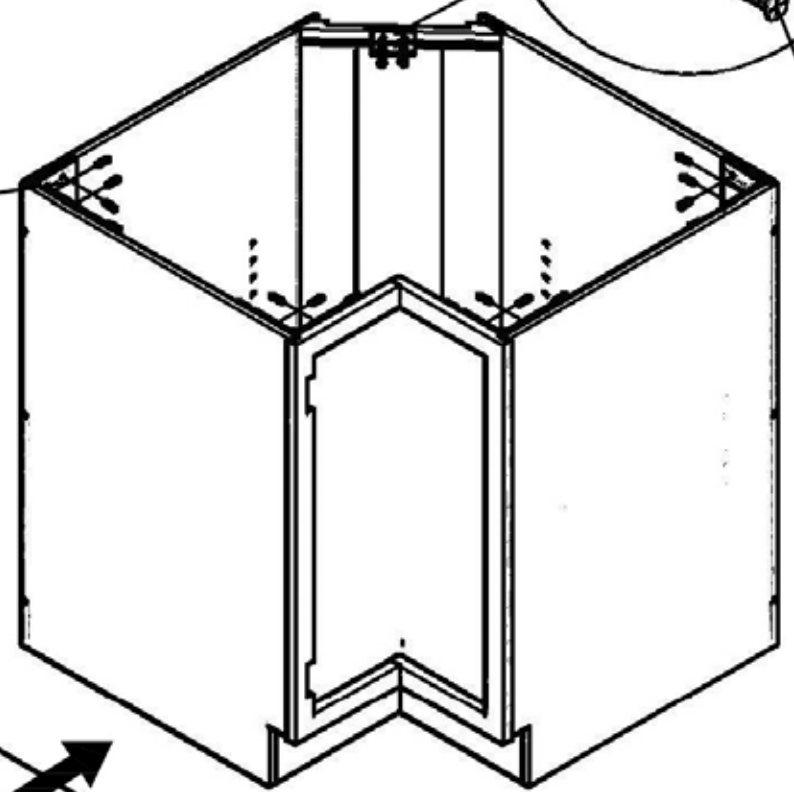
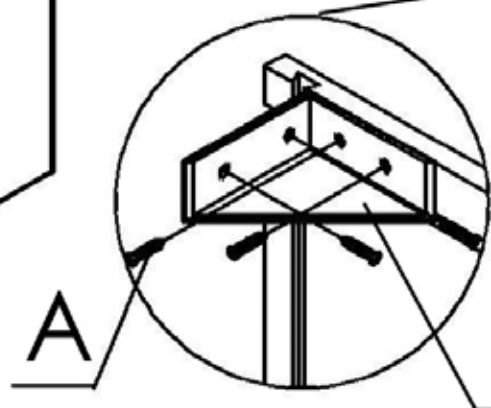
step 7



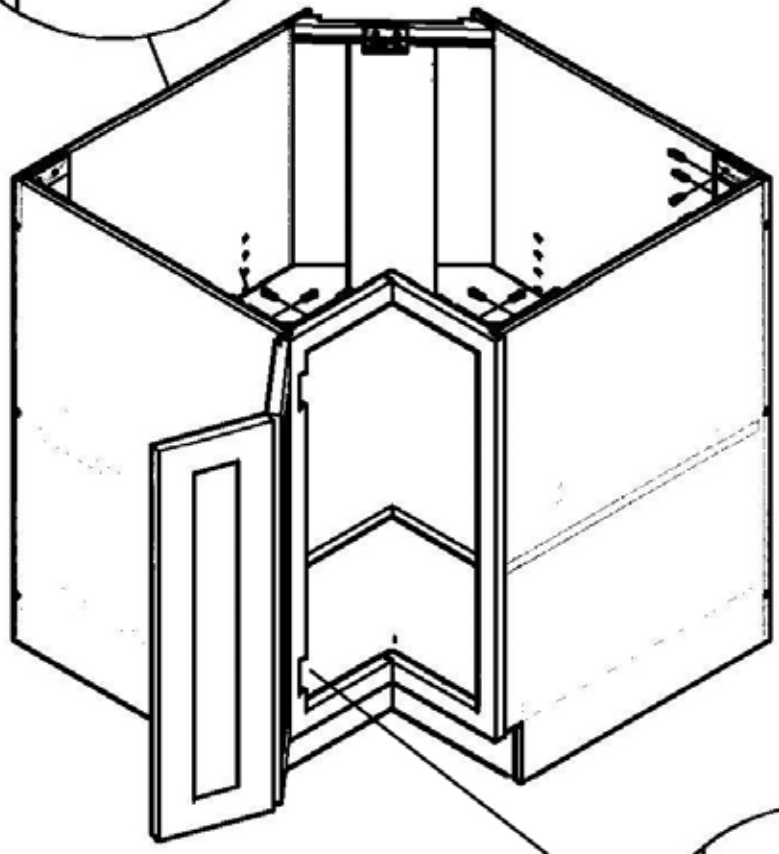
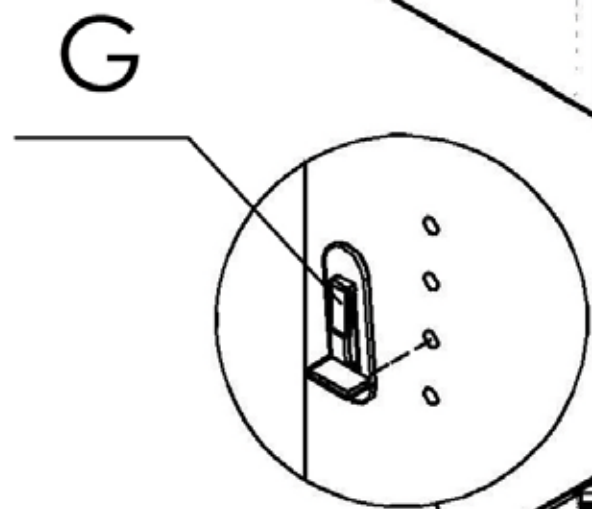
step 8



step 9



step 10



step 11

