
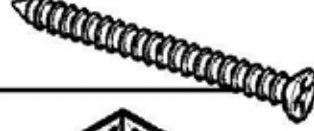



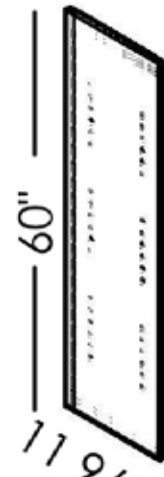
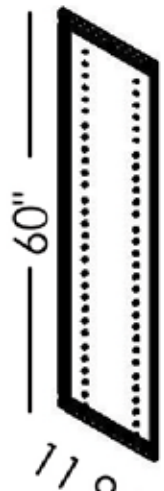
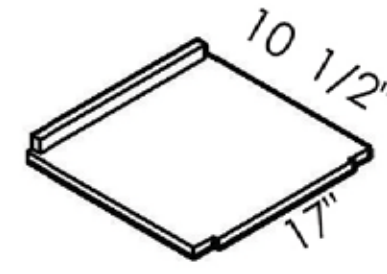
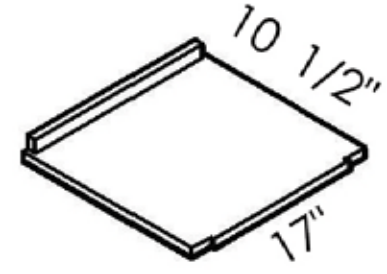
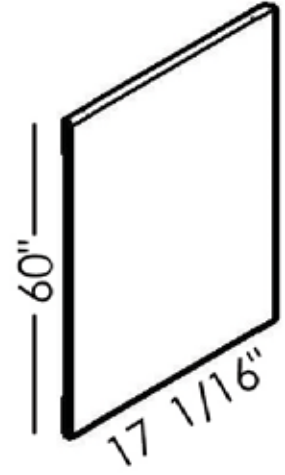
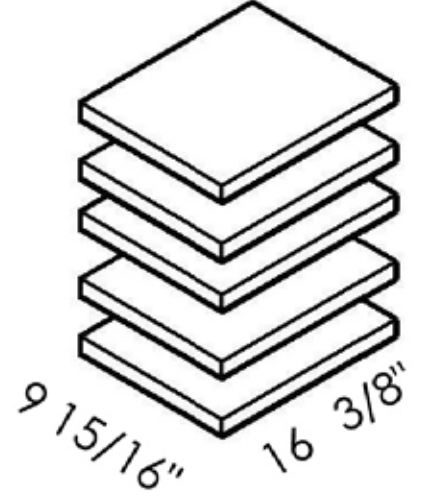
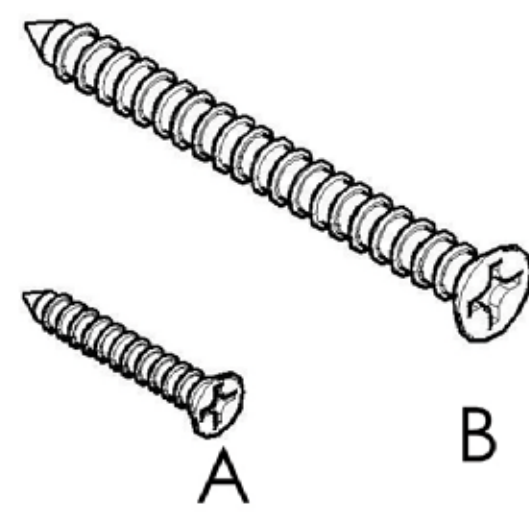


# Part List





BC1860

Unit: inch

No	Picture	Specification	Qty
A		Screw $\text{Ø}3 \times 1/2$ "	32
B		Screw $\text{Ø}4 \times 1 \frac{3}{16}$ "	6
C		Corner Bracket	4
D		Shelf Clip	20

<p>1</p>  <p>Face Frame</p>	<p>2</p>  <p>Left Side Panel</p>	<p>3</p>  <p>Right Side Panel</p>
<p>4</p>  <p>Top Panel</p>	<p>5</p>  <p>Bottom Panel</p>	<p>6</p>  <p>Back Panel</p>
<p>7</p>  <p>Shelf</p>		
 <p>A B</p>		

# Assembly instructions

No	Picture	Specification	Qty	No	Picture	Specification	Qty
A		Screw $\varnothing 3 \times 1/2$ "	32	C		Corner Bracket	8
B		Screw $\varnothing 4 \times 1 \frac{3}{16}$ "	6	D		Shelf Clip	20

