


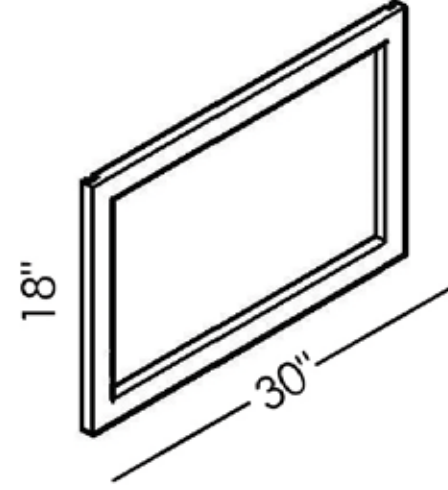
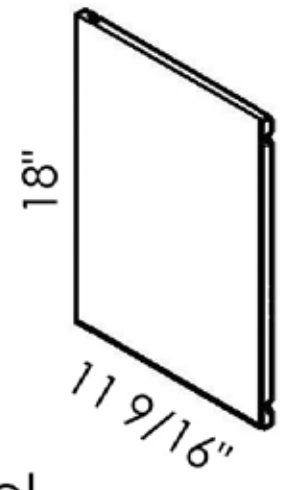
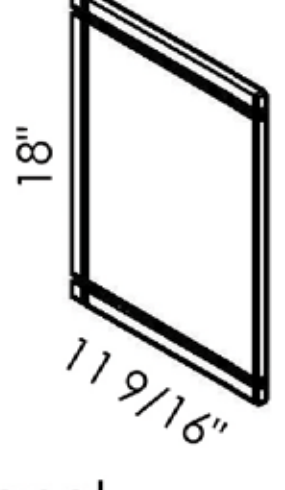
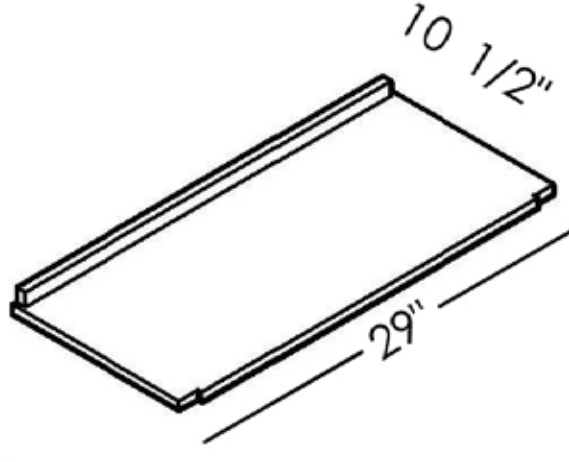
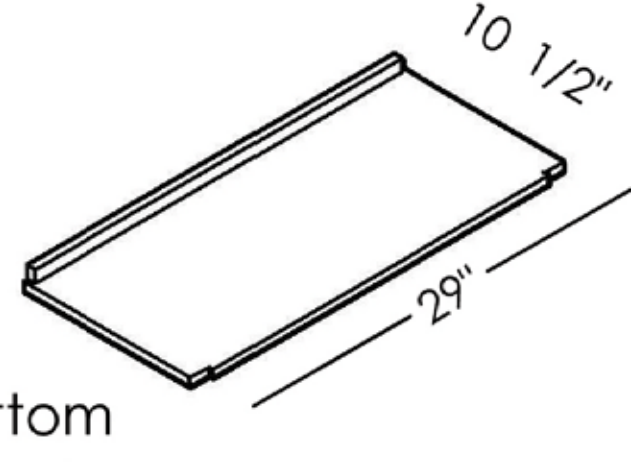
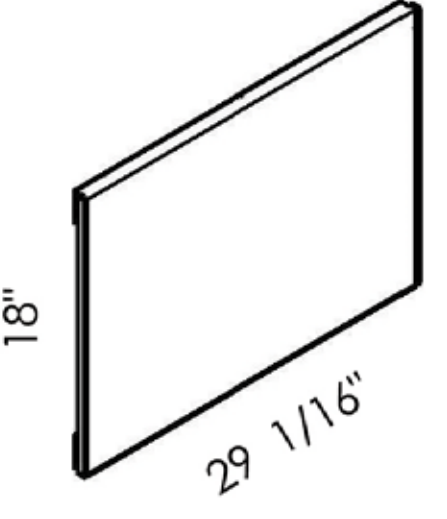


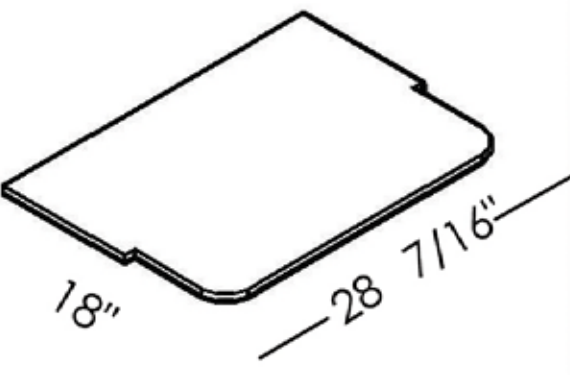
Part List

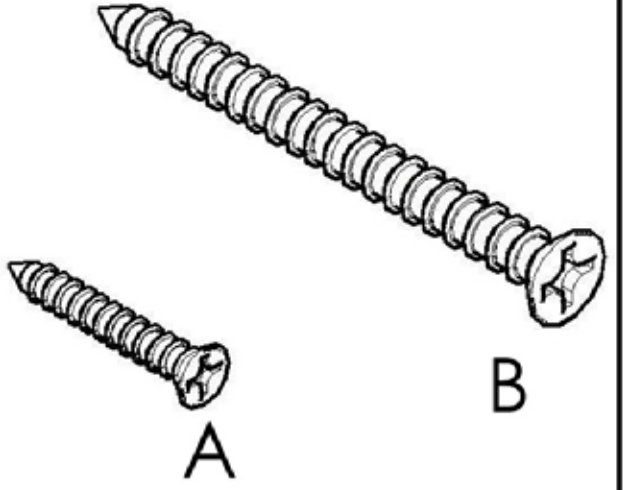
MS3018

Unit: inch




No	Picture	Specification	Qty
A		Screw $\text{Ø}3 \times 1/2$ "	32
B		Screw $\text{Ø}4 \times 1 \frac{3}{16}$ "	6
C		Corner Bracket	8

<p>1</p>  <p>Face Frame</p>	<p>2</p>  <p>Left Side Panel</p>	<p>3</p>  <p>Right Side Panel</p>
<p>4</p>  <p>Top Panel</p>	<p>5</p>  <p>Bottom Panel</p>	<p>6</p>  <p>Back Panel</p>

<p>7</p>  <p>Shelf</p>

 <p>A B</p>
--

Assembly instructions

No	Picture	Specification	Qty	No	Picture	Specification	Qty
A		Screw $\varnothing 3 \times 1/2''$	32				
B		Screw $\varnothing 4 \times 1 \frac{3}{16}''$	6				
C		Corner Bracket	8				

