




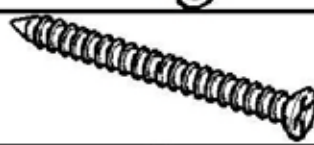




# Part List

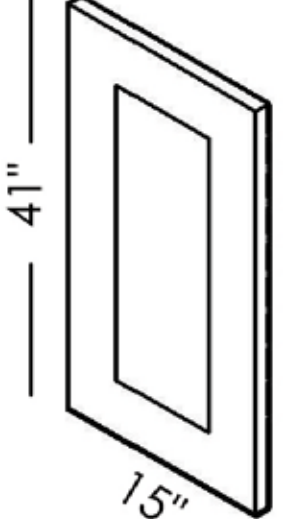
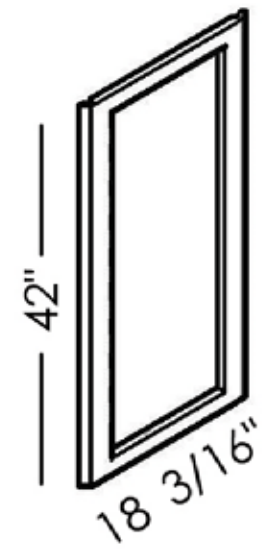
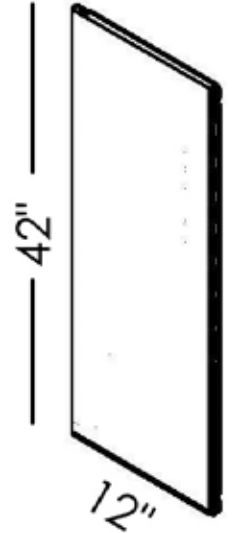
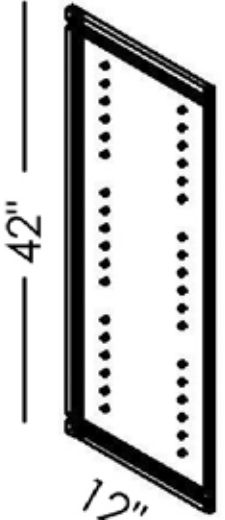
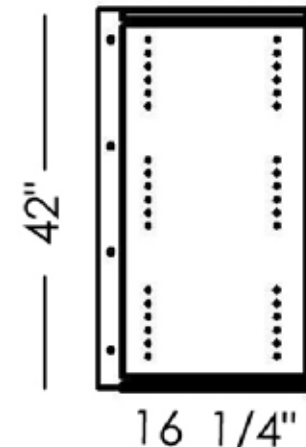
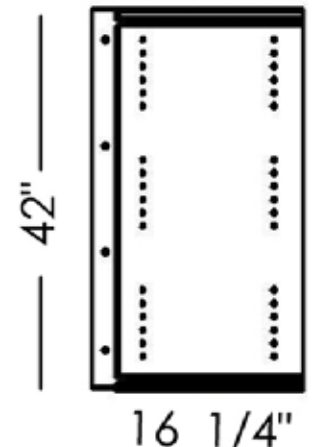
WDC2442

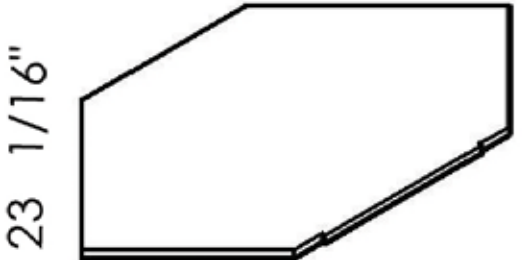
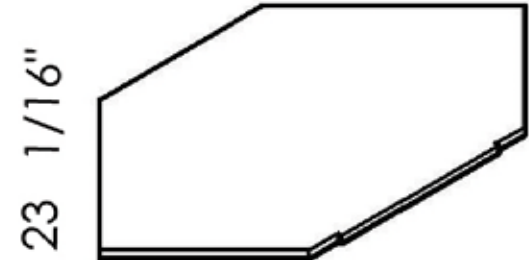
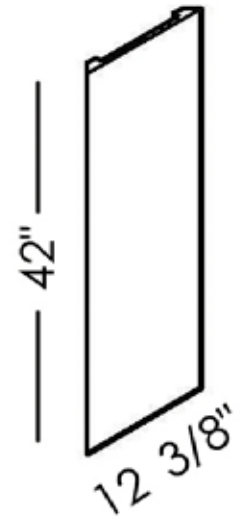
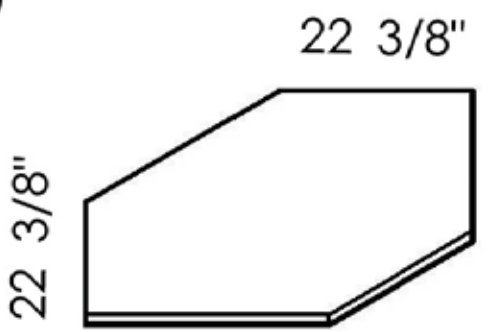
WOFDC2442GDFI

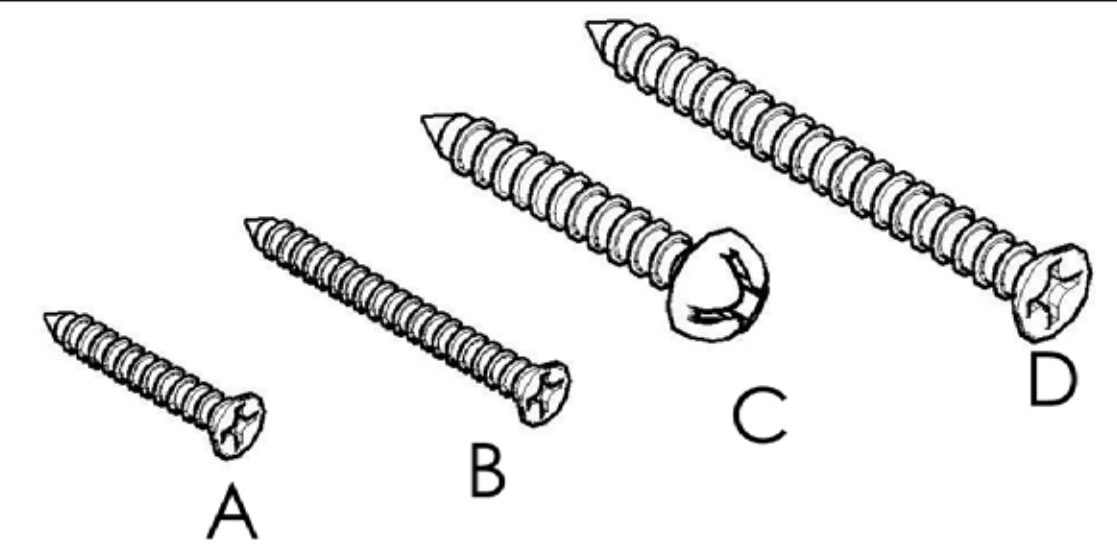
WMDC2442GDFI

Unit: inch

No	Picture	Specification	Qty
A		Screw $\text{Ø}3 \times 1/2$ "	24
B		Screw $\text{Ø}3 \times 5/8$ "	6
C		Screw $\text{Ø}4 \times 5/8$ "	3
D		Screw $\text{Ø}4 \times 1 \frac{3}{16}$ "	28
E		135° Metal Clip	6
F		Shelf Clip	24
G		Hinges	3
H		Bumper	2









1 Door 	2 Face Frame 	3 Left Face Side Panel 
4 Right Face Side Panel 	5 Left Back Side Panel 	6 Right Back Side Panel 

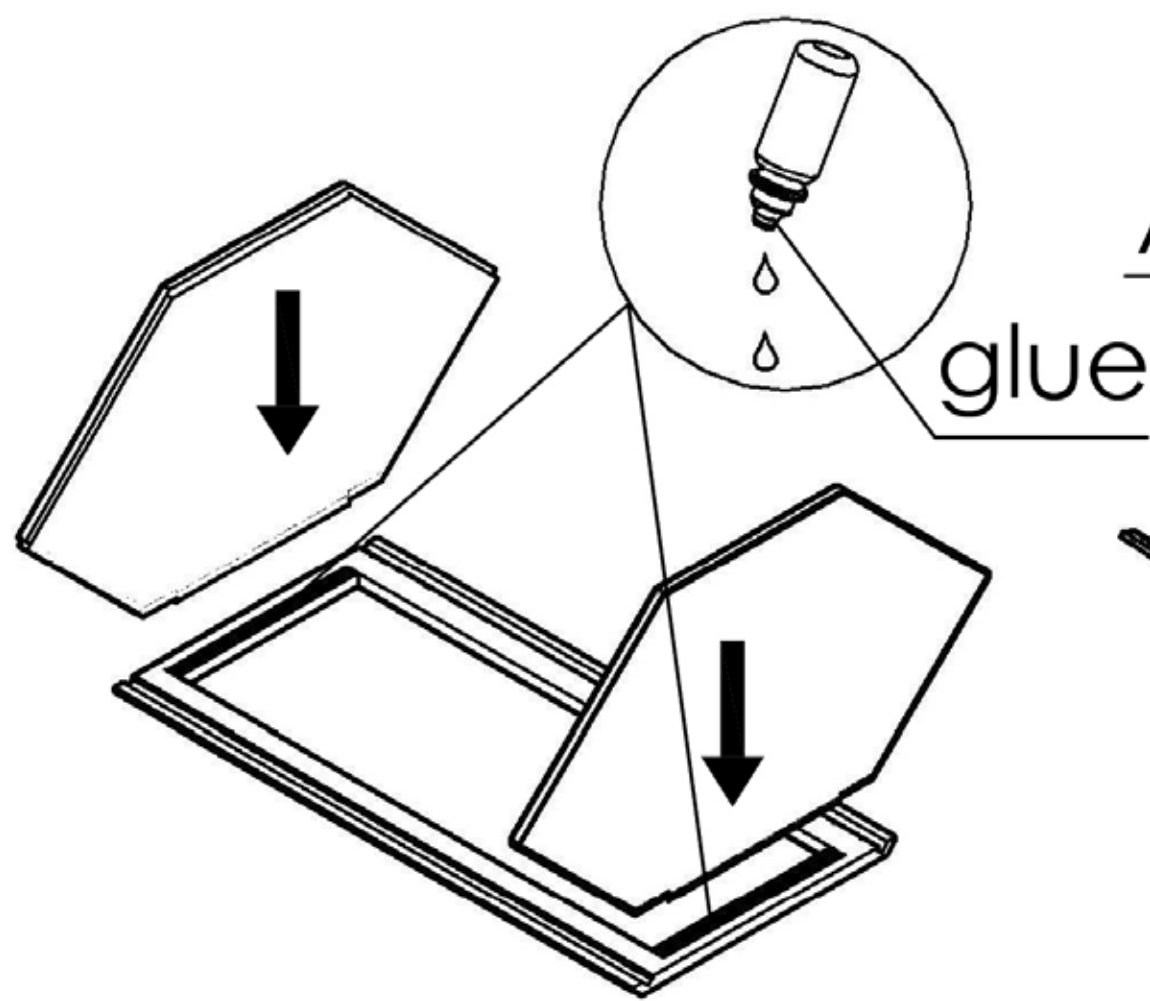
7 Top Panel 	8 Bottom Panel 	9 Back Panel 	10 Shelf 
---	---	--	--



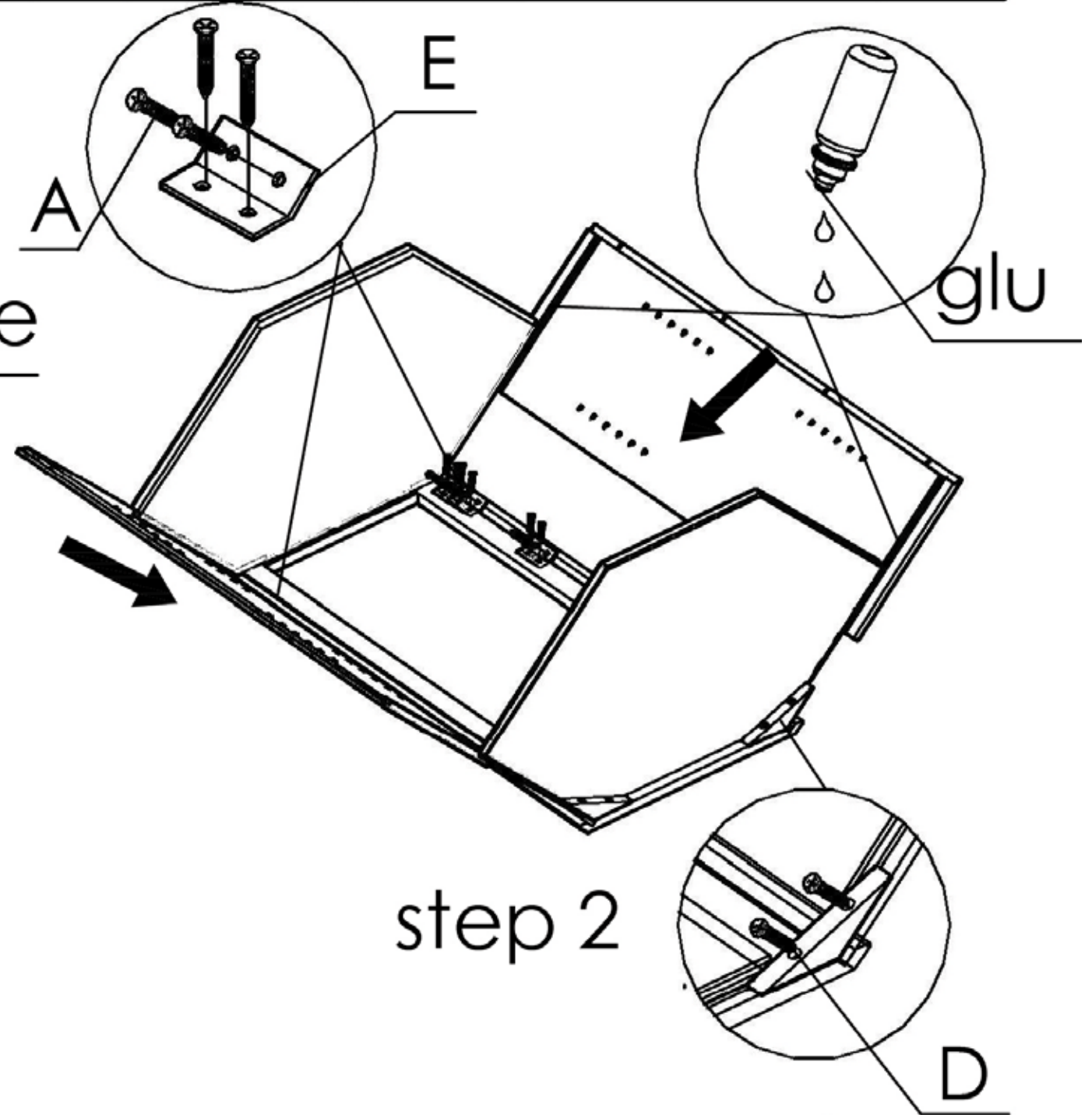


# Assembly instructions

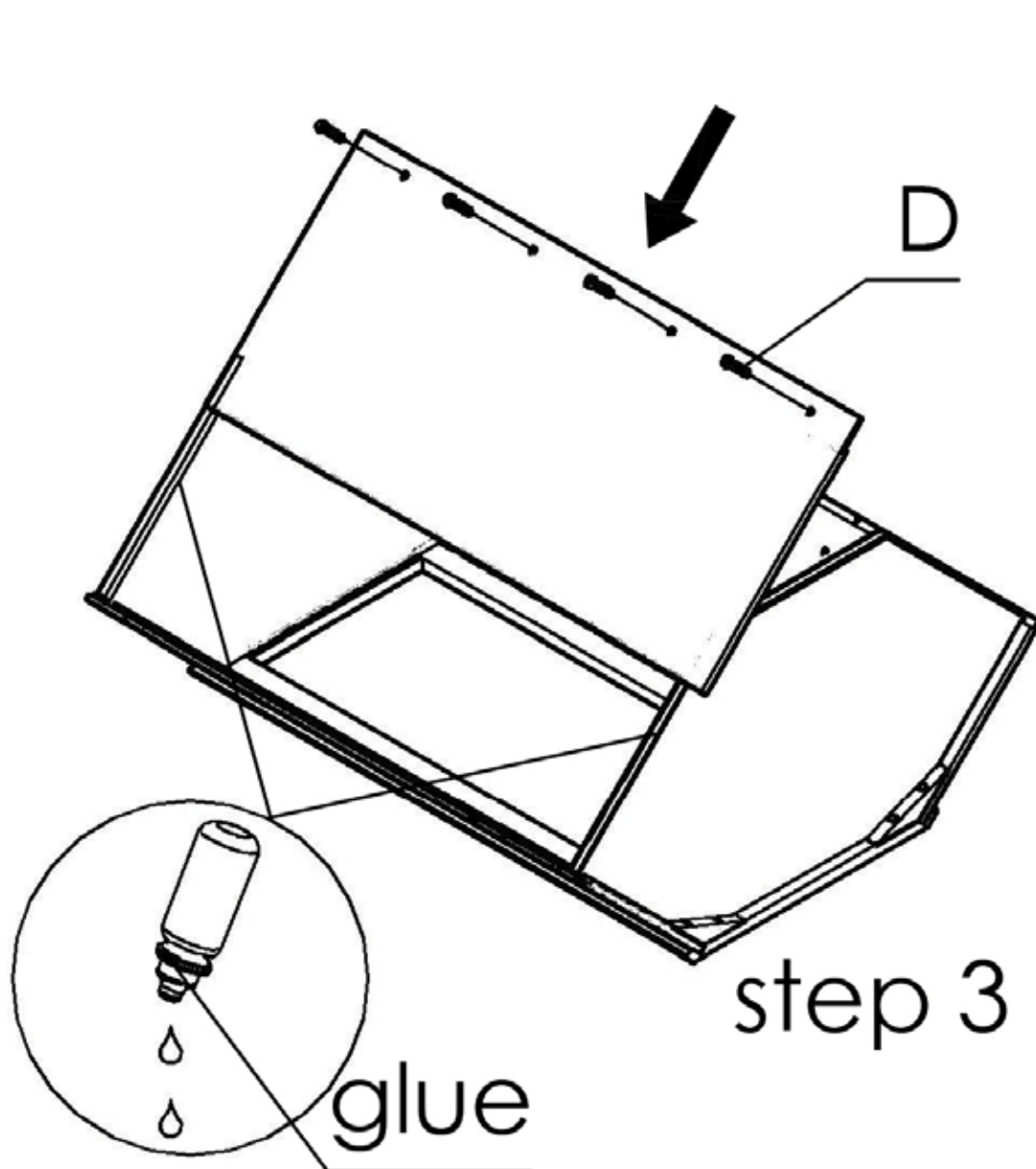
No	Picture	Specification	Qty	No	Picture	Specification	Qty
A		Screw $\varnothing 3 \times 1/2$ "	24	E		135° Metal Clip	6
B		Screw $\varnothing 3 \times 5/8$ "	6	F		Shelf Clip	24
C		Screw $\varnothing 4 \times 5/8$ "	3	G		Hinges	3
D		Screw $\varnothing 4 \times 1 \frac{3}{16}$ "	28	H		Bumper	2



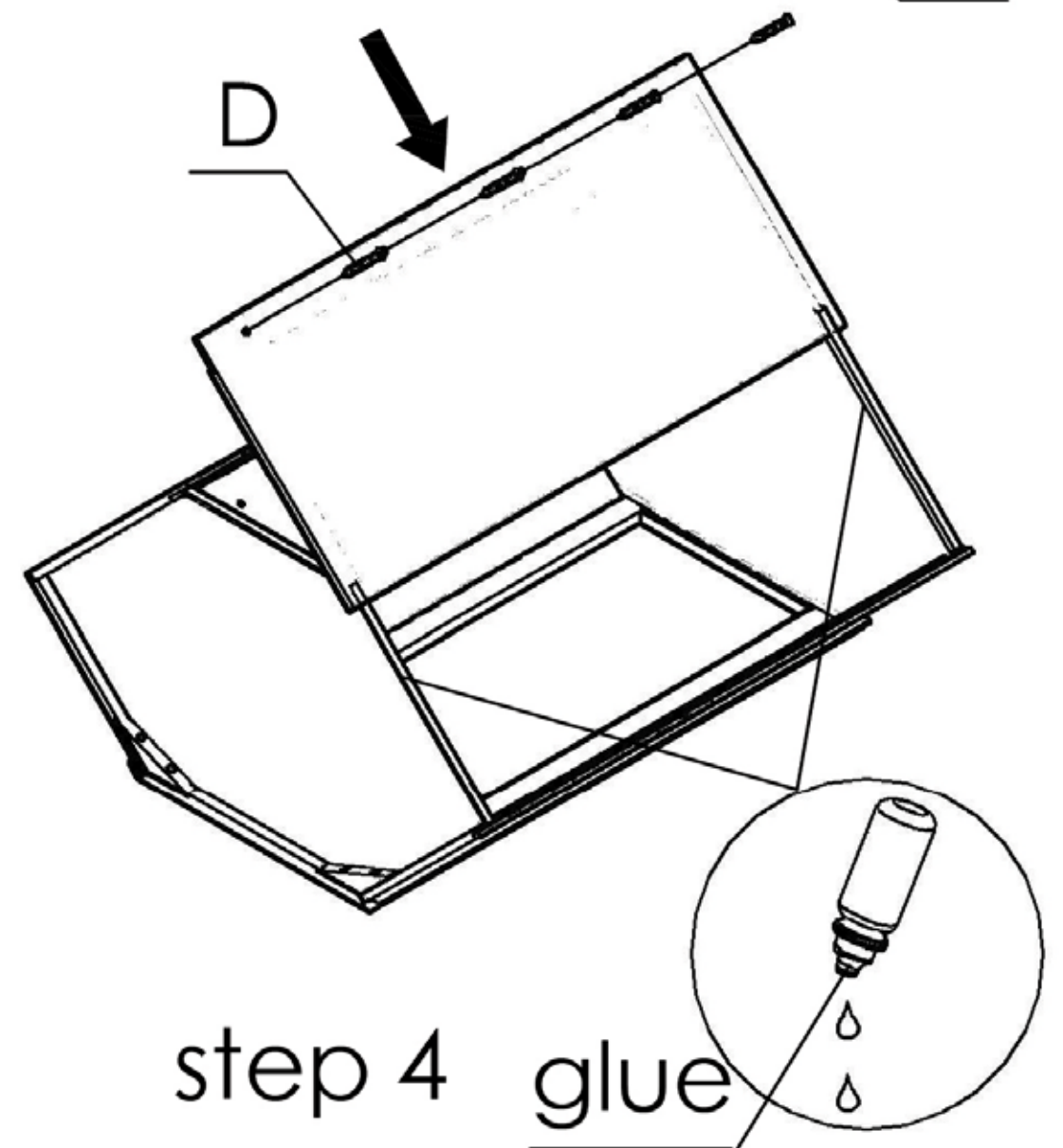
step 1



step 2



step 3



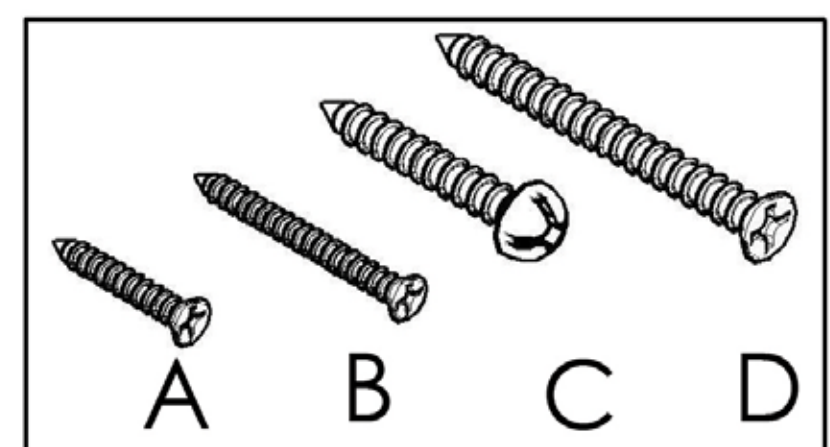
step 4

page 1 of 2

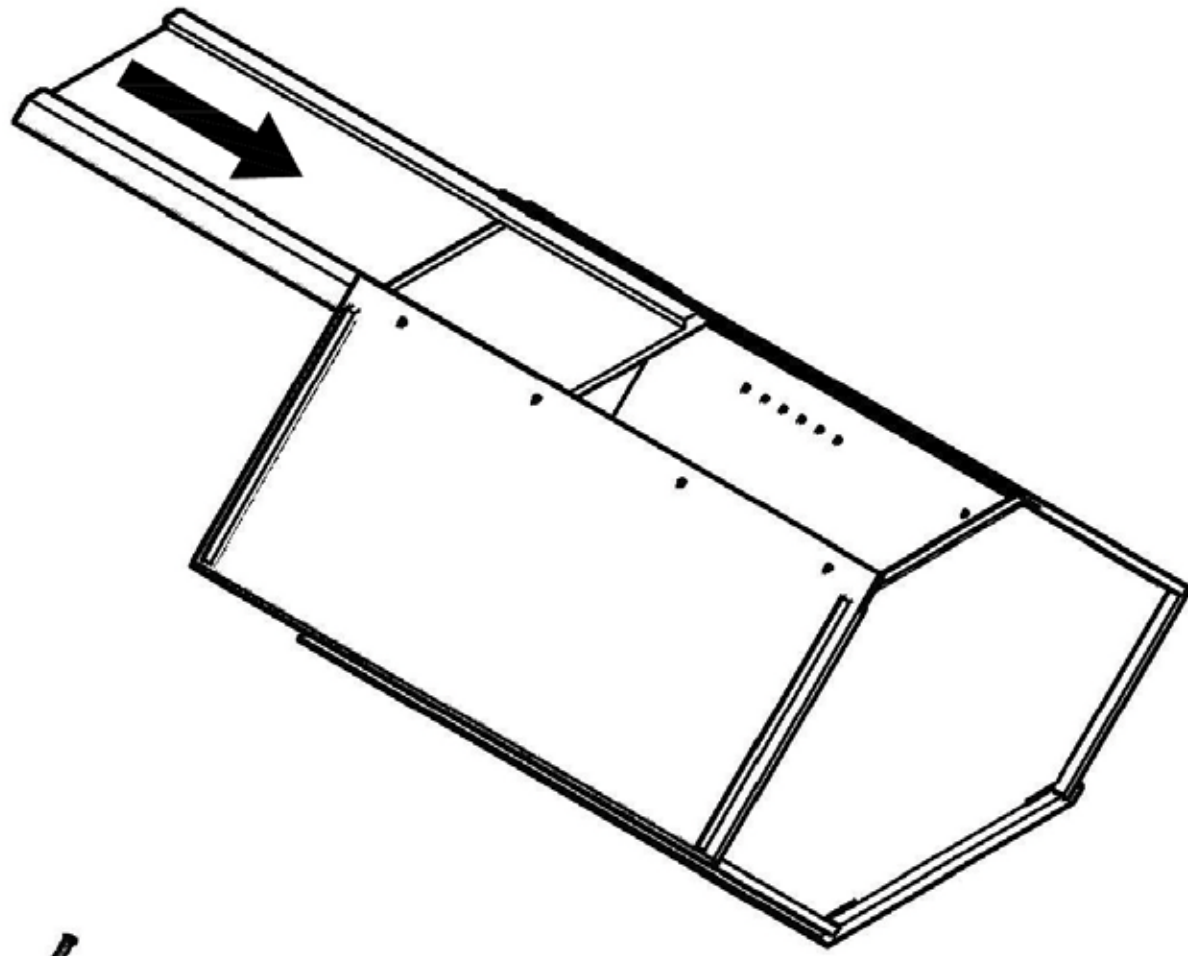
WDC2442 WDC274215

WOFDC2442GDFI WMDC2442GDFI

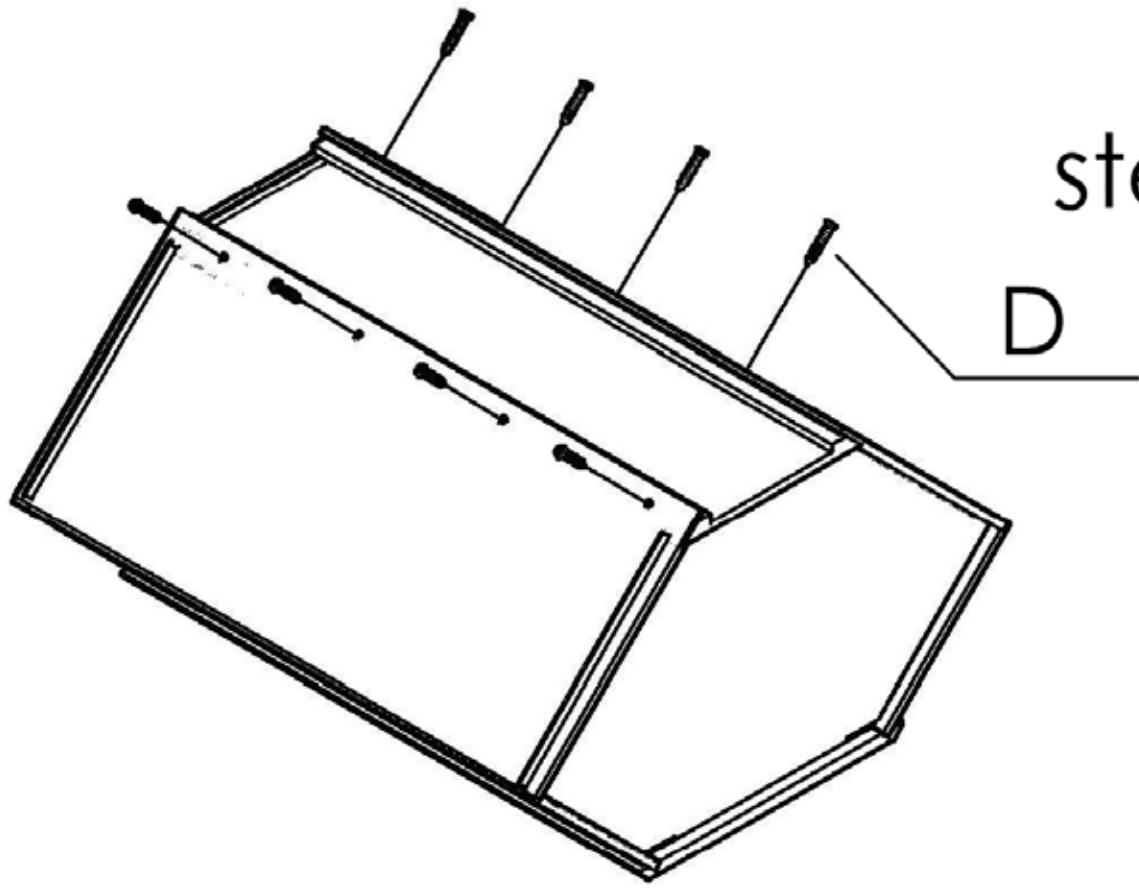
WOFDC274215GDFI WMDC274215GDFI



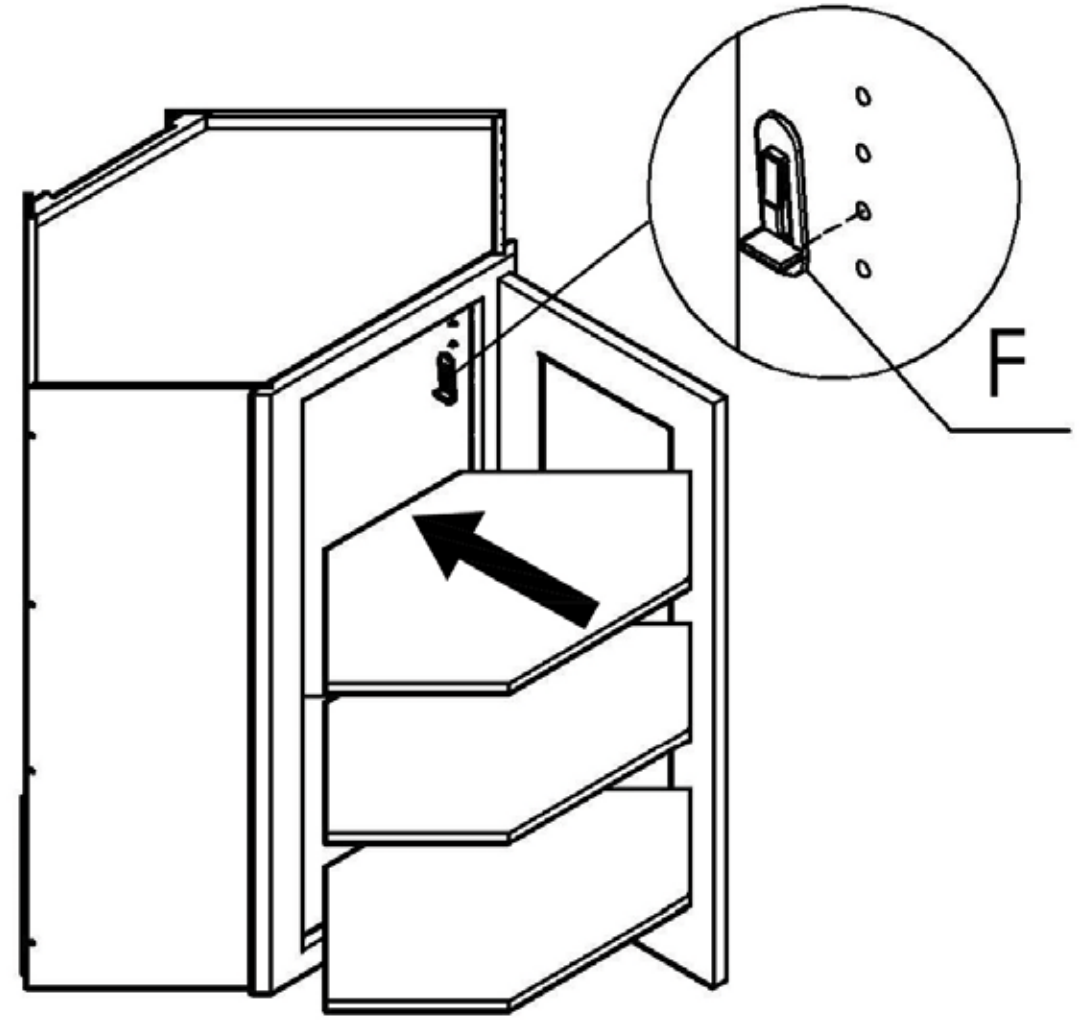




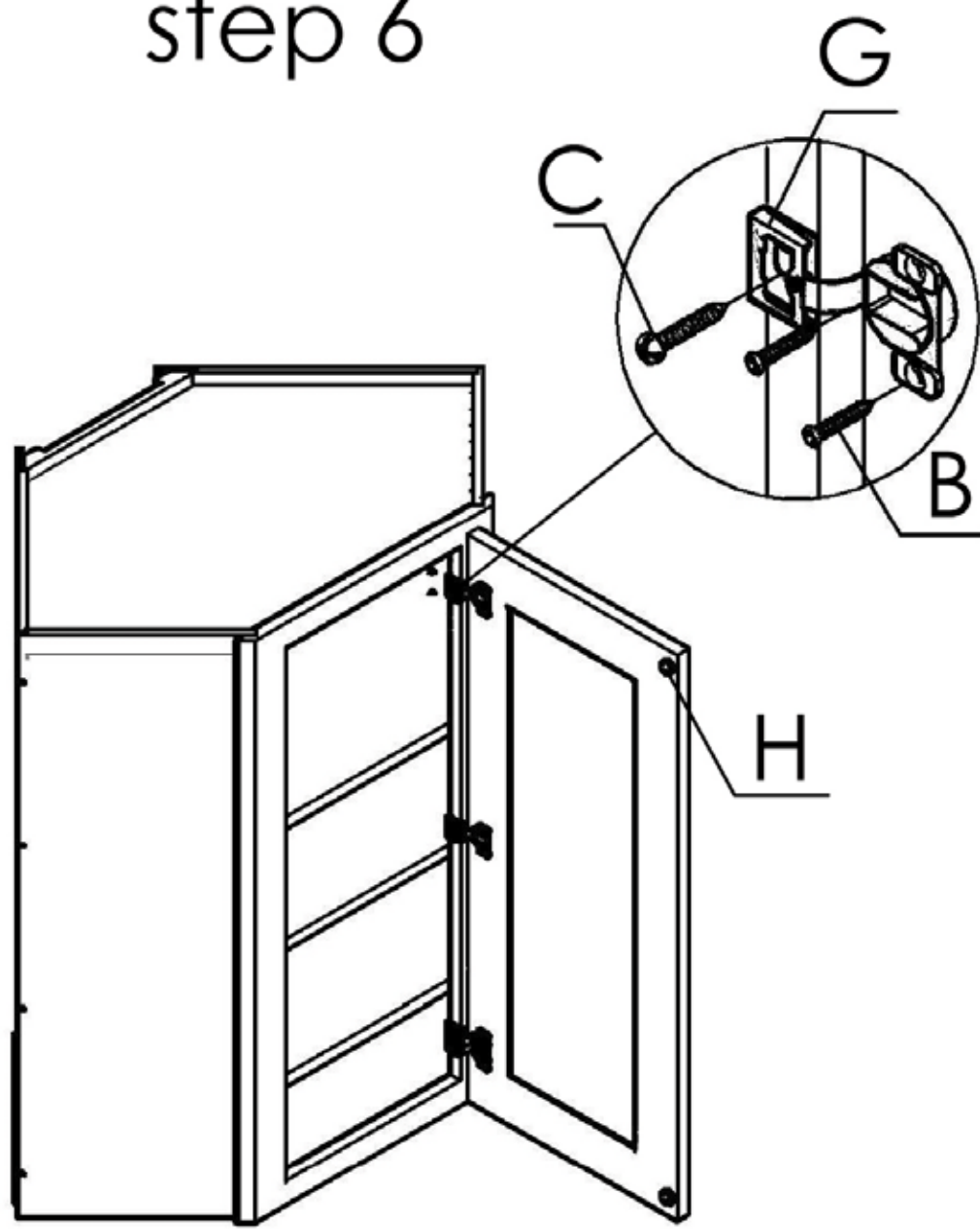
step 5



step 6



step 7



step 8

page 2 of 2

WDC2442 WDC274215

WOFDC2442GDFI WMDC2442GDFI

WOFDC274215GDFI WMDC274215GDFI

