



12400 Earl Jones Way
Louisville, KY 40299
rev-a-shelf.com
Customer Service: 800-626-1126

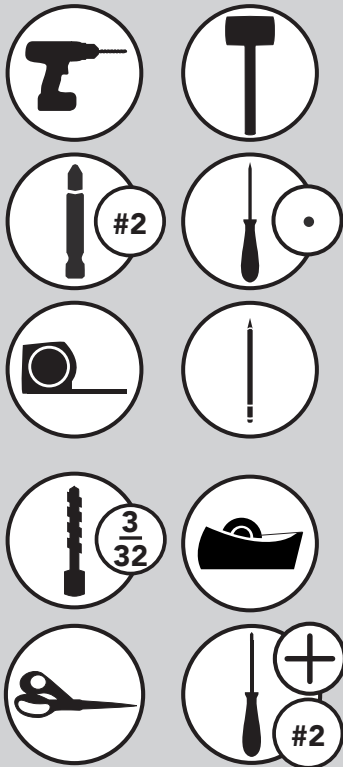


INSTALLATION INSTRUCTIONS

VIDEO INSTRUCTIONS: WWW.REV-A-SHELF.COM/VIDEOS

4PIL SERIES PILASTER DRAWER BOX SYSTEM INSTRUCTIONS

TOOLS REQUIRED:



ESTIMATED ASSEMBLY TIME:

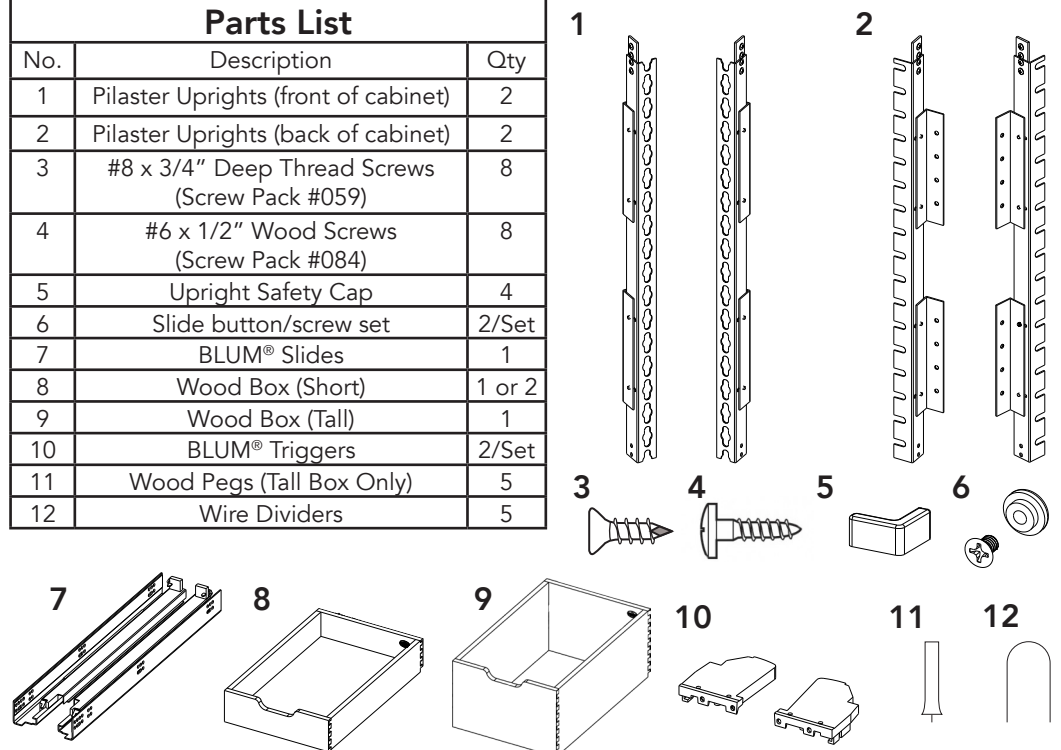
45 MIN

CARE AND MAINTENANCE:

Clean with a damp cloth and wipe parts dry.



Parts List		
No.	Description	Qty
1	Pilaster Uprights (front of cabinet)	2
2	Pilaster Uprights (back of cabinet)	2
3	#8 x 3/4" Deep Thread Screws (Screw Pack #059)	8
4	#6 x 1/2" Wood Screws (Screw Pack #084)	8
5	Upright Safety Cap	4
6	Slide button/screw set	2/Set
7	BLUM® Slides	1
8	Wood Box (Short)	1 or 2
9	Wood Box (Tall)	1
10	BLUM® Triggers	2/Set
11	Wood Pegs (Tall Box Only)	5
12	Wire Dividers	5

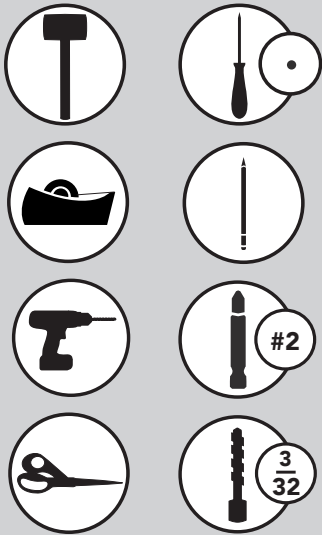


INSTALLING THE PILASTER UPRIGHTS

STEP 1

Refer to the included template to attach your Pilaster Upright Kit. (See Fig 1.1)

Before attaching the L-bracket to the wall with the provided #8x3/4 phillips truss head deep thread screws, ensure the machine screws that attach the uprights to the bracket are loose. (See Fig 1.2)



ATTACHING THE BUTTONS

STEP 2

Each slide set is to be fitted with 1 pilaster button kit. Using the 4 screws and buttons included, attach the buttons through the indicated holes shown. (See Fig 2)

NOTE: The slides used in the Rev-A-Shelf Pilaster System are BLUM 563H53301B



FIGURE 1.1

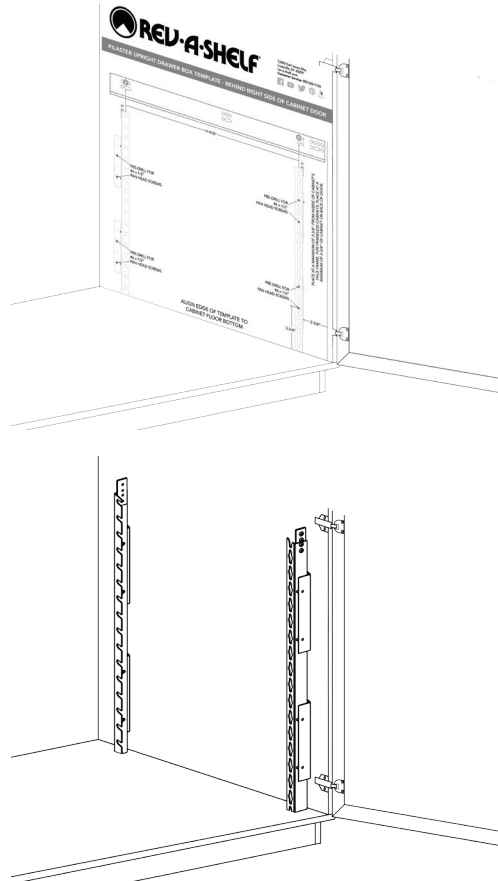


FIGURE 1.2

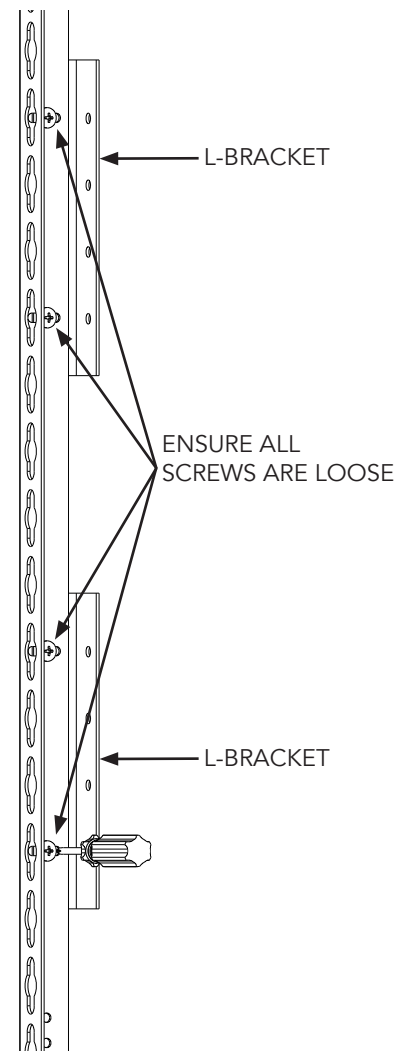
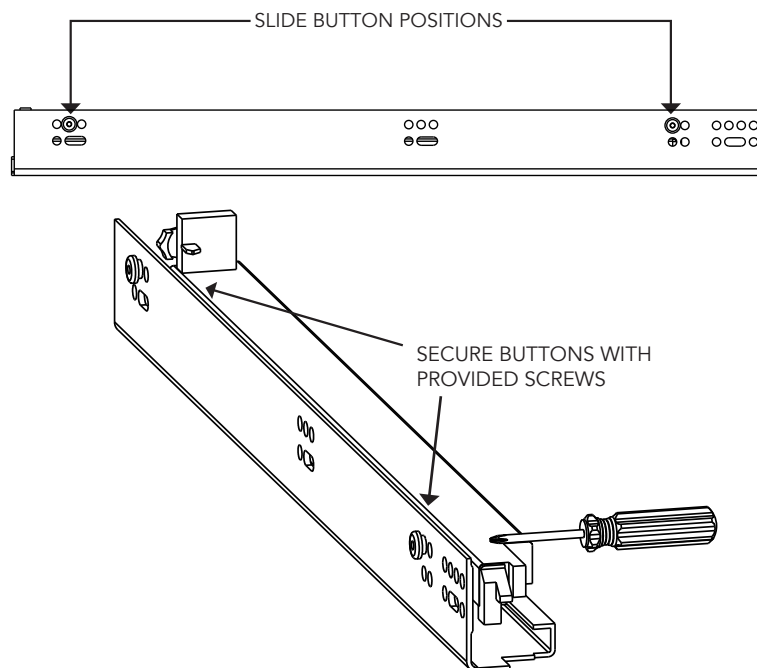


FIGURE 2



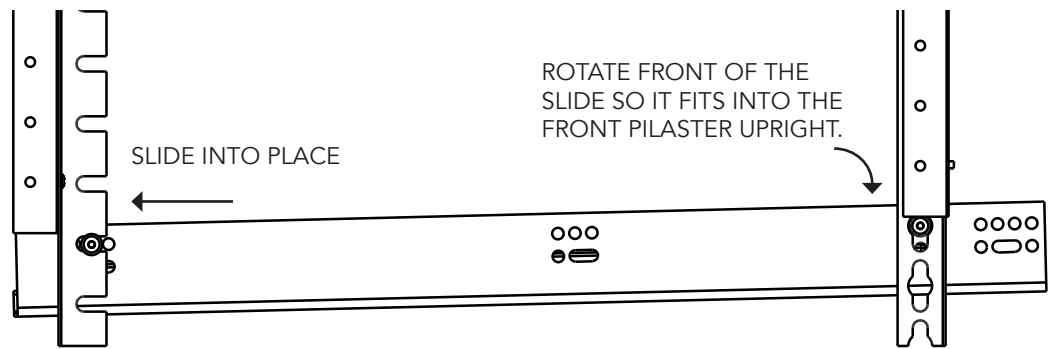
HANGING SLIDES ON UPRIGHTS

STEP 3

Locate the desired hole locations for the pilaster buttons to be inserted.

Insert the button attached to the rear of the slide into the back Pilaster Upright slot. Drop the front slide button into the center of the front upright slot and press down to secure the slide. (See Fig 3)

FIGURE 3



DRAWER BOX PREPARATION

STEP 4

With the wood box upside down, locate the front of the box by identifying the pre-drilled holes. Ensure the triggers are on the correct side before attaching the 4 #6x1/2 phillips pan head deep thread wood screws. (See Fig 4)

Once the triggers are attached, place the wood box on top of the BLUM® slides and slowly push the wood box back. When the slides have fully engaged, you will hear a click sound (See Fig 5). At this point, tighten the screws connecting the uprights to the L-Brackets from Step 1 (See Fig 1.2).

NOTE: You will also use these triggers to disengage the wood boxes from the pilaster system when necessary.

FIGURE 4

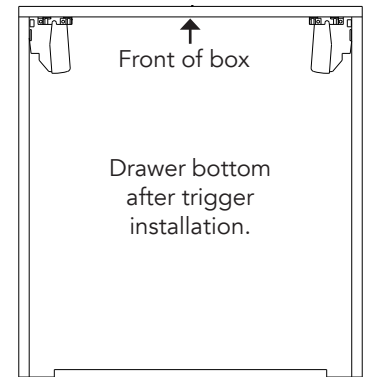
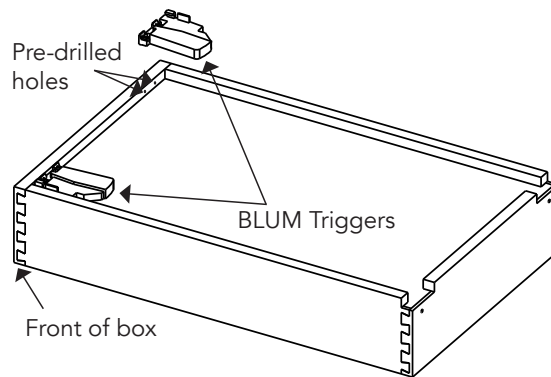
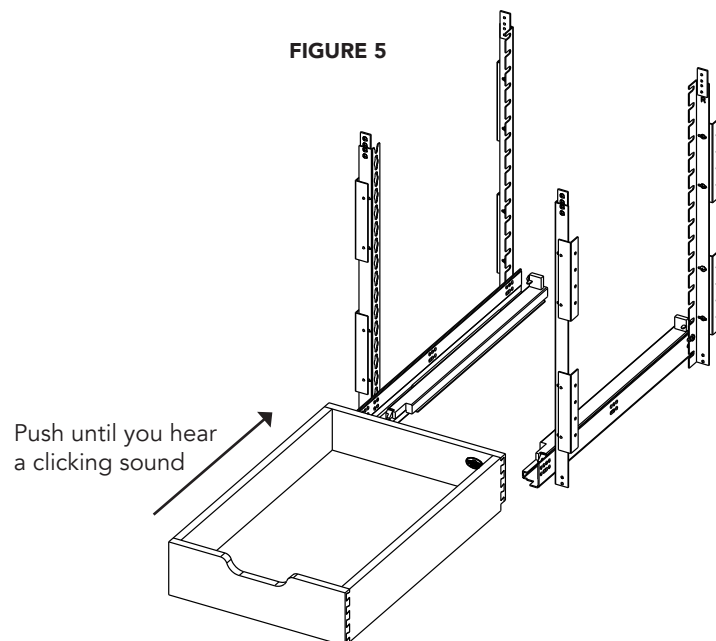


FIGURE 5



UPRIGHT EXTENSION INSTRUCTIONS

STEP 5

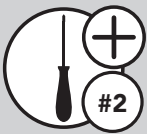
NOTE: If you don't intend on extending the pilaster system as shown in Figure 6, please skip to Step 6

Please ensure you have enough vertical space in your cabinet/pantry before continuing (See Fig 6).

Remove the two top screws from the lower set of Pilaster Uprights (See Fig 7).

Stack the new Pilaster Upright on top of the bottom one and attach uprights using the previously removed screws.

Attach the top Pilaster Upright to the wall using the wood screws provided.



PLACING END CAPS ON THE UPRIGHTS

STEP 6

Remove the screws that attach the four extension brackets to the top of any pilaster uprights that aren't currently being used as extensions (See Fig 8.1). Place the end caps on the top of the uprights (See Fig 8.2).

FIGURE 6

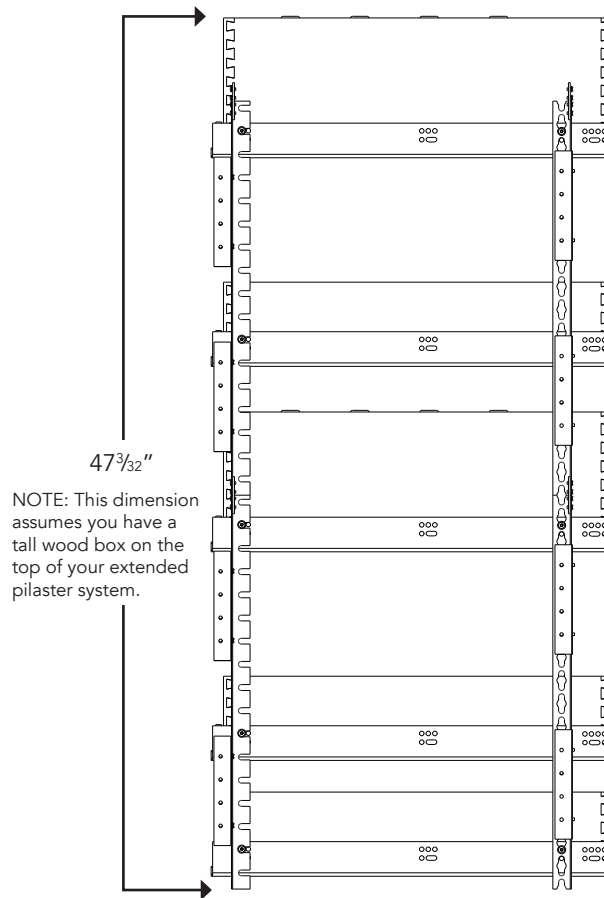


FIGURE 7

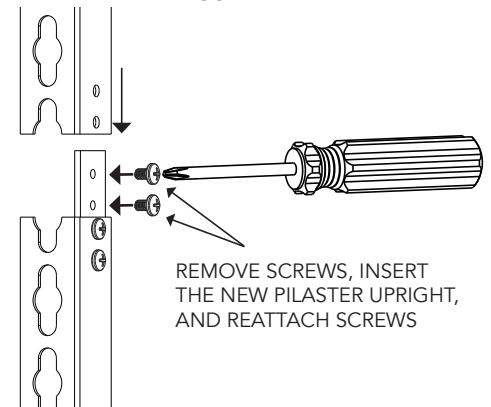


FIGURE 8.1

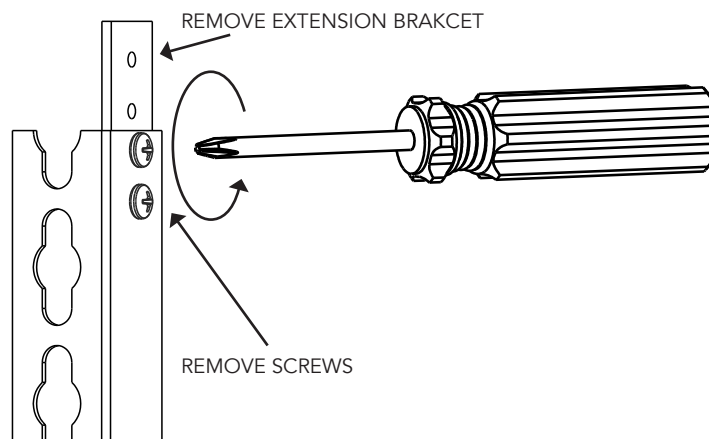
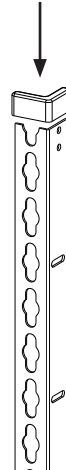


FIGURE 8.2

ATTACH AND PRESS FIRMLY



12400 Earl Jones Way
Louisville, KY 40299
rev-a-shelf.com
Customer Service: 800-626-1126