

Specifications

OPERATION

- Lever style handle with temperature indicator on the escutcheon
- Handle operates upward through a 23° arc. The rotation angle of temperature is 100°. Maximum hot through 50° in clockwise direction. Minimum cold through 50° in counterclockwise
- Adjustable temperature limit stop to control maximum hot water temperature
- Pressure balancing mechanism maintains selected discharge temperature to $\pm 3.6^{\circ}\text{F}$ ($\pm 2^{\circ}\text{C}$)


FLOW

- Showerhead is limited to 2.5gpm(9.5L/min) at 80psi
- Bathtub spout is minimum to 2.4gpm(9.0L/min) at 20psi

CARTRIDGE

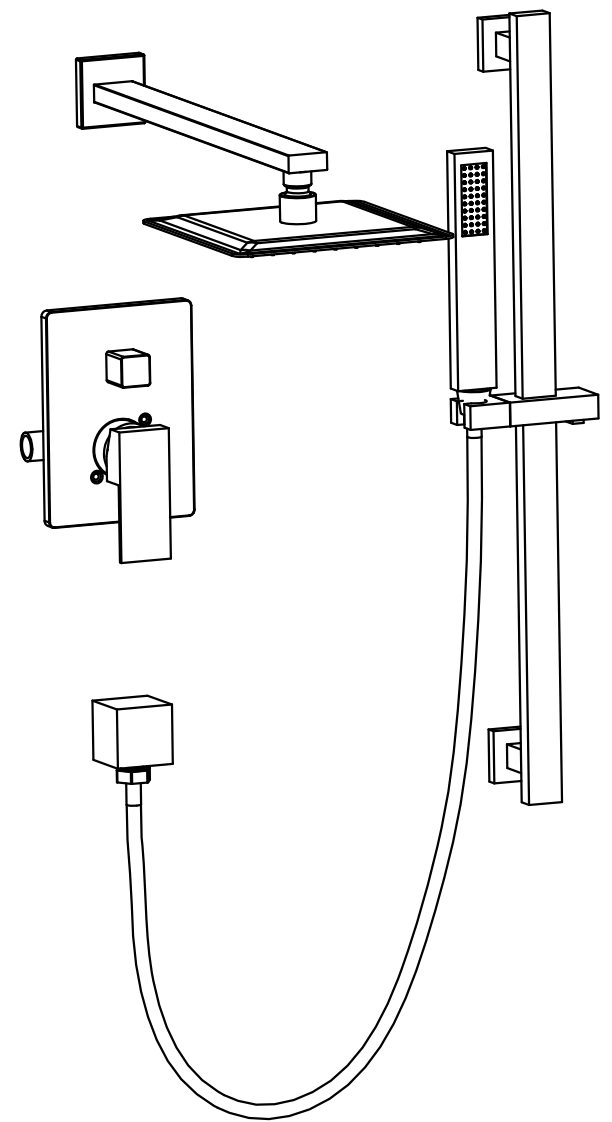
- Pressure Balance cartridge

STANDARDS

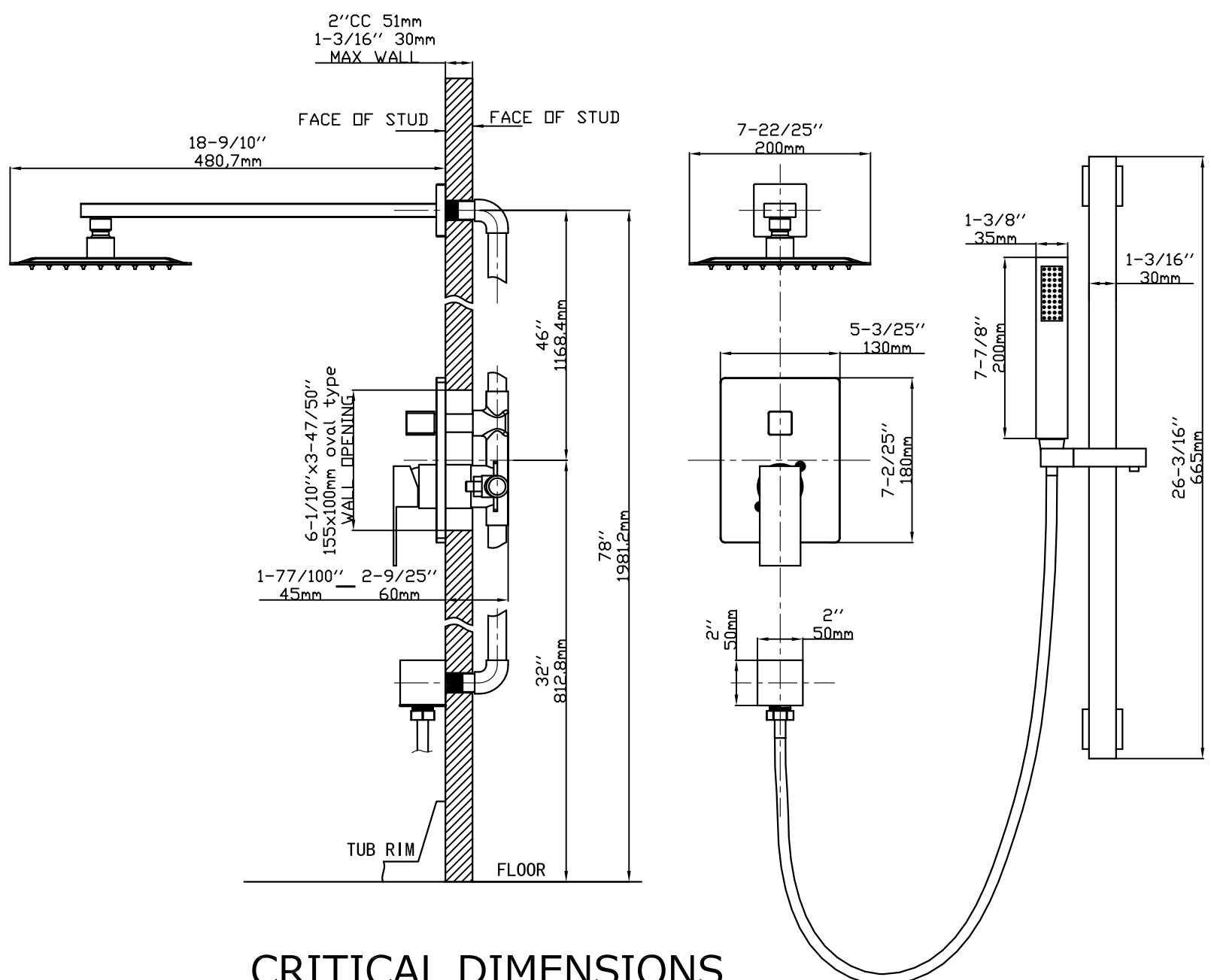
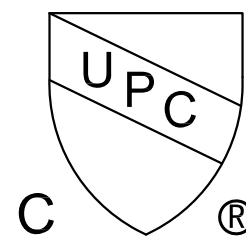
- Third party certified to meet ASME A112.18.1 all applicable requirements referenced therein
- ADA  for lever handle

WARRANTY

- Lifetime limited warranty against leaks, drips and finish defects to the original consumer purchaser
- 5 year warranty if used in commercial installations

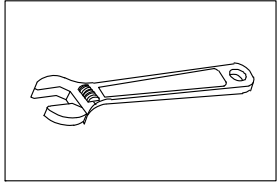


Two Function Concealed Shower Set

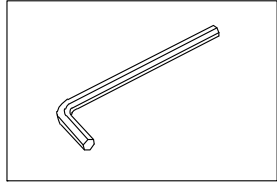


Two Function Concealed Shower Set Installation

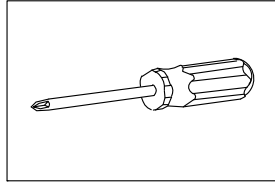
INSTALLATION MANUAL Tools You Will Need :



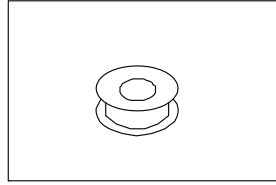
Adjustable wrench



Hexagon wrench



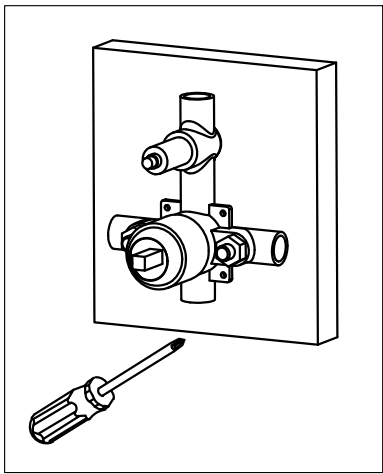
Philips Screwdriver



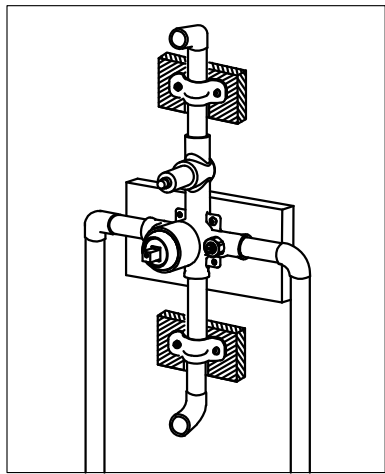
Pipe Tape

Notes before installation :

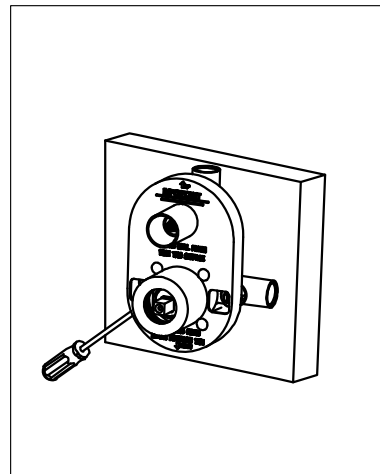
1. When you open the package .Please check the User Manual and Product maintenance knowledge and confirm all the parts are enough or not.
2. Before installation, please clean all the impurity and dirt inside plumbing. To avoid blocking the waterway and water wave device and impact the product function.
3. Working water pressure :20-125psi (Including the hot and cold water pressure).
Working temperature : 5-71 degree
4. The pictures in manual is just diagrammatic drawing , if different, please based on the real product . If find difficult on installation, please contact with the professional install worker.
5. Please turn off the main water valve, if no body at home for long time.



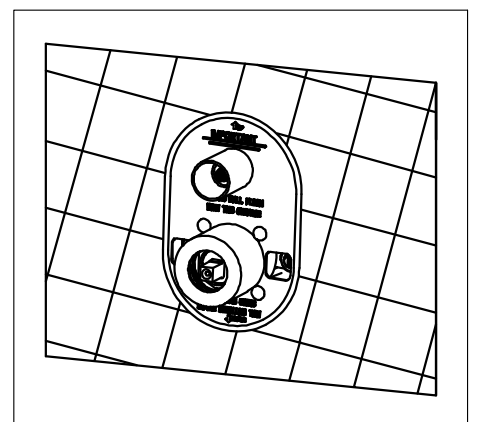
1. Confirm the installed place of the pressure balance valve and fixed on the wood block .



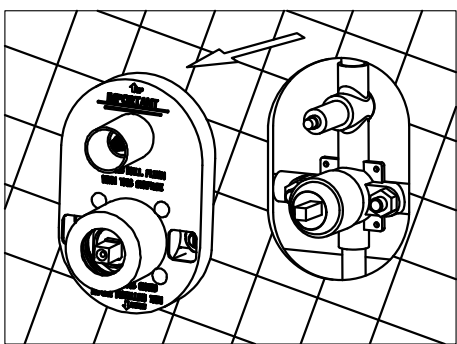
2. Connect the hot&cold inlet tube and outlet tube,then make sure the tube fix stable on the wooden wall.



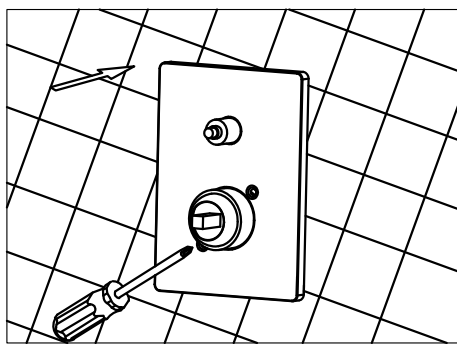
3. Lock the install protective cover into the body. (155*100mm oval type).



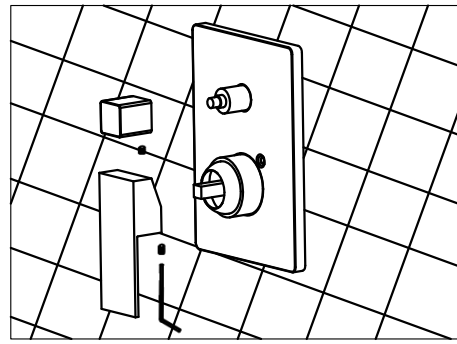
4. Please cut the size of the tile hole according to the size and shape of the protected cover (about 5mm bigger than the protected cover from each side) . And please put the tile outside the wooden wall (please noted that we keep the same central point for the tile hole with the protected cover) .



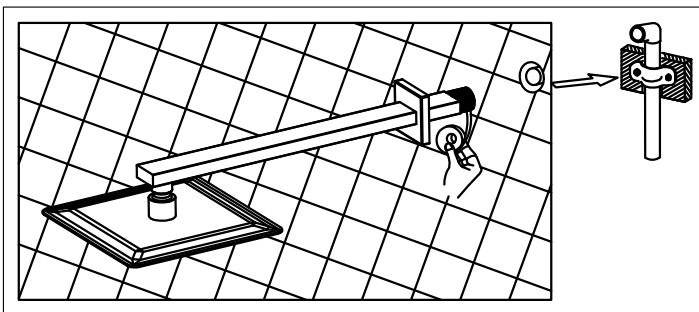
5. Loosen the screw and remove protect cover.



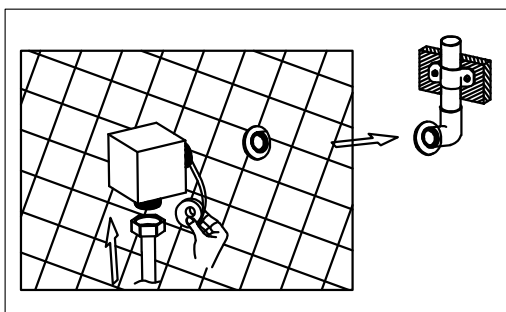
6. Lock the deck plate into the body and cling to the wall,then tight the screw.



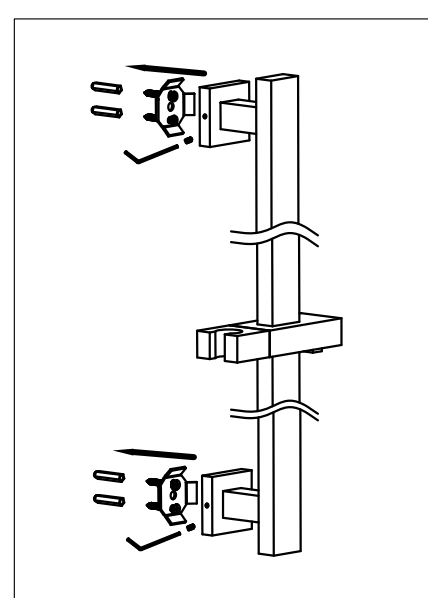
7. Put on the handle, then tight the screw.



9. Install the shower arm,shower head and flange to the fitting. (stick to the wall) .Tighten the showerhead to the shower arm with the pipe tape.(Make sure the pipe tape with clockwise direction) .



10. Insert the connector to the pipe which outside the wall, the other outside hole connect the hose with hand shower.



11. ①. To ensure suitable shower height drilling.
②. Insert the small plate with 2 screws into the hole in the wall.
③. Insert sliding holder into stainless steel tube.
④. Insert assembled stainless steel tube into holder, then use screws to fix holders on the wall.
⑤. Close the holder's cover.
⑥. Connect with flexible hose and hand shower.